

Model: X5 sDrive40i

Development code: G05

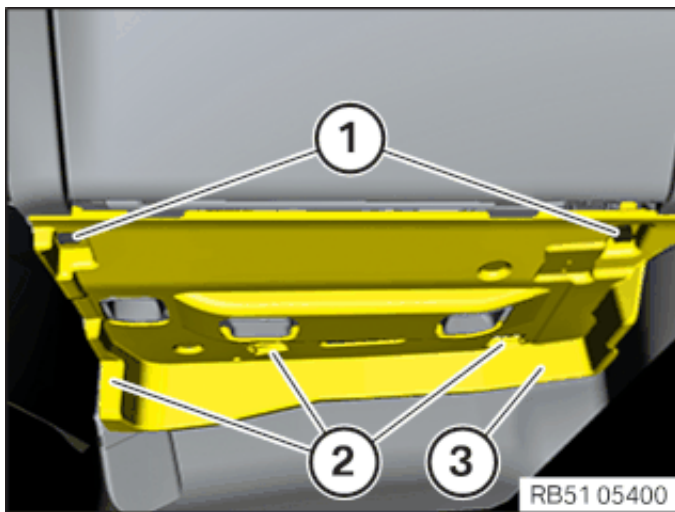
Model code: CR43

Lead type: CR43

[Replacing the microfilter for interior ventilation](#) »

## Remove right footwell trim

REP-TAT-P-5145-01-G05



- Turn the locks (1) by 90°.
- Detach right footwell trim (3) inward from the guides (2).
- Unlock associated plug connection and disconnect.
- Remove right footwell trim (3).

Model: X5 sDrive40i

Development code: G05

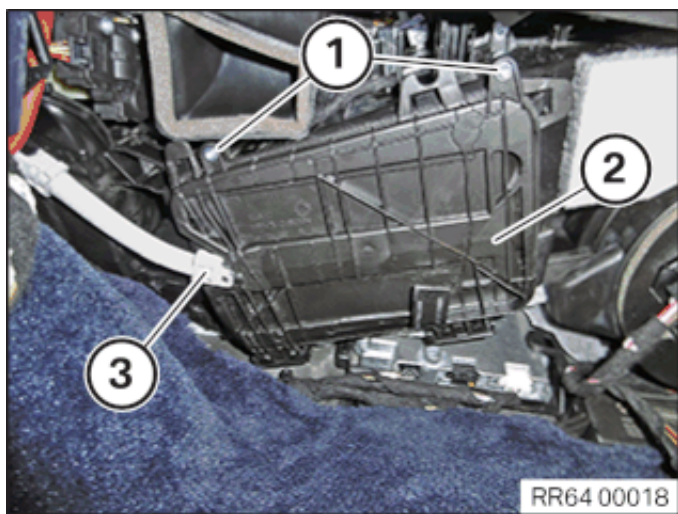
Model code: CR43

Lead type: CR43

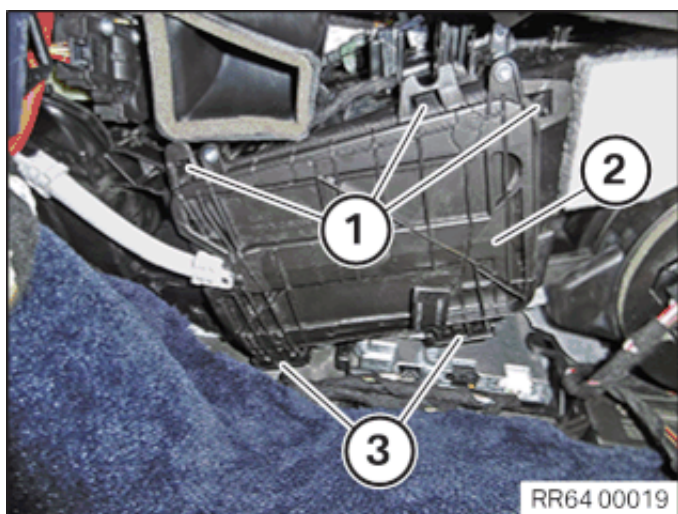
[Replacing the microfilter for interior ventilation](#) »

## Remove microfilter for passenger compartment ventilation

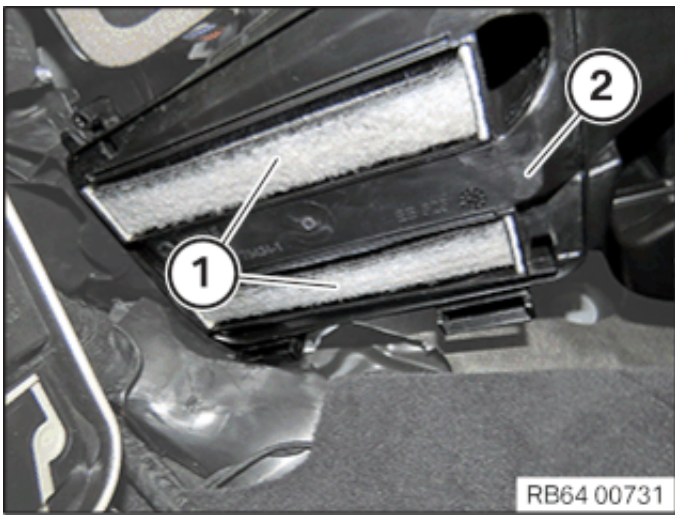
REP-TAT-P-6431-01-G15\_1



- Unscrew screws (1) on the cover of the microfilter housing (2).
- Detach the water drain hose (3).



- Disengage detents (1).
- Thread out cover of the microfilter housing (2) at the guides (3) and remove.



- Remove both microfilters for interior ventilation (1) from the microfilter housing (2) in a downwards direction.

Model: X5 sDrive40i

Development code: G05

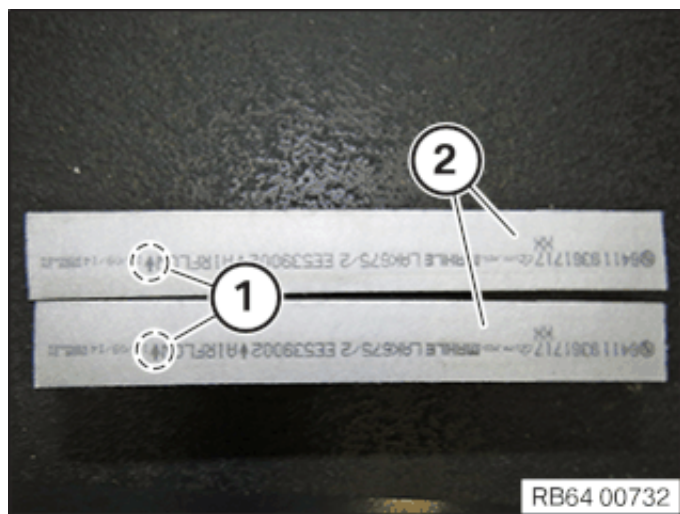
Model code: CR43

Lead type: CR43

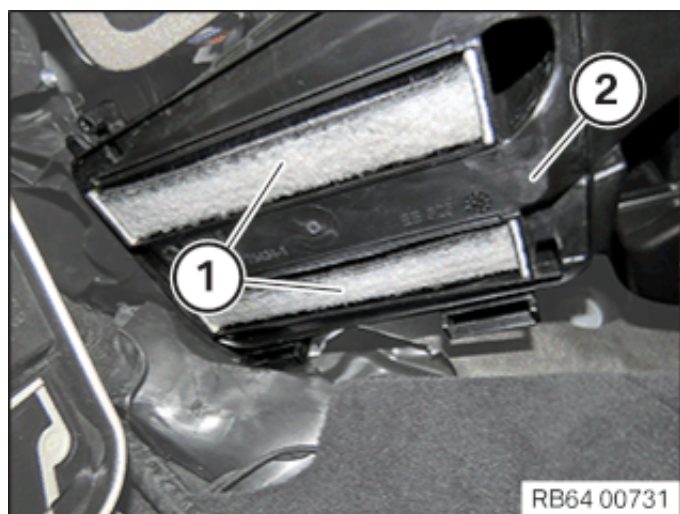
[Replacing the microfilter for interior ventilation](#) »

## Installing the microfilter for the interior ventilation

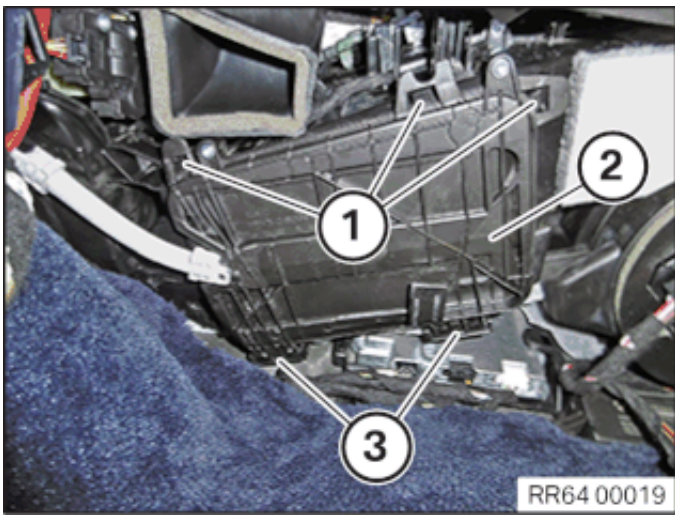
REP-TAT-P-6431-02-G15\_1



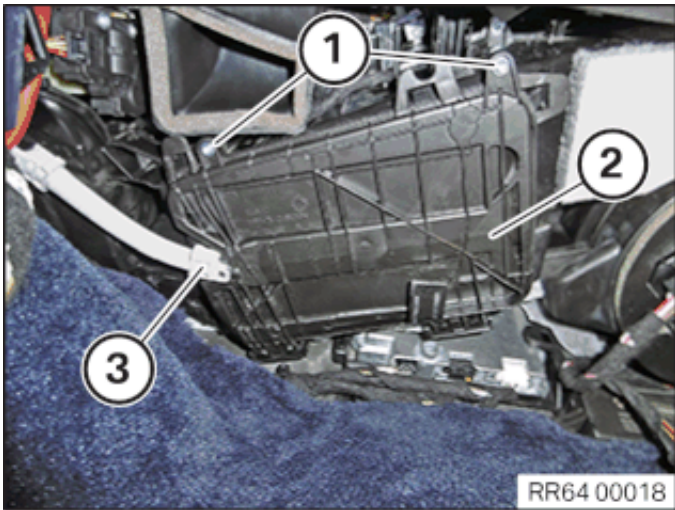
- Align both microfilters for interior ventilation (2) so that arrows (1) on them point in driving direction on installation.



- Slide both microfilters for interior ventilation (1) up into the microfilter housing (2).



- Insert cover of the microfilter housing (2) at the guides (3).
- Engage latches (1).



- Tighten screws (1) on the cover of the microfilter housing (2).

### Tightening torques

#### Microfilter lid on heating and air-conditioning unit

Screw

**tightening torque**  
2.8Nm

- Connect water drain hose (3).

Model: X5 sDrive40i

Development code: G05

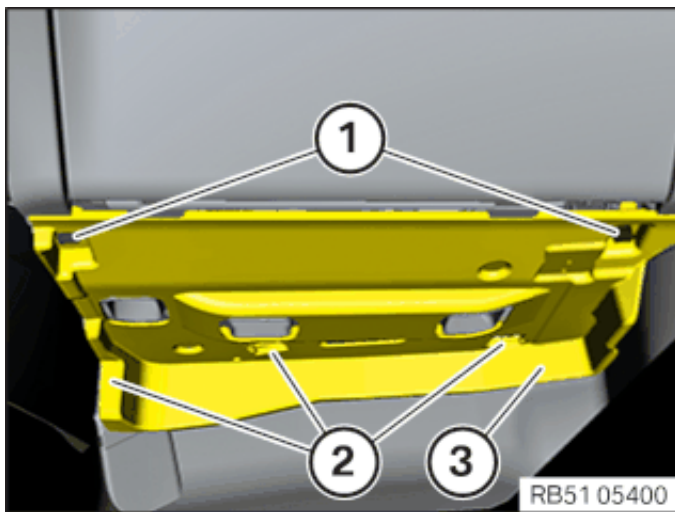
Model code: CR43

Lead type: CR43

[Replacing the microfilter for interior ventilation](#) »

## Install right footwell trim

REP-TAT-P-5145-02-G05



- Connect and lock corresponding connectors.
- Attach the right footwell trim (3) in the guides (2) and fold it up.
- Insert locks (1) correctly and turn 90°.