

Removing centre console trim at rear



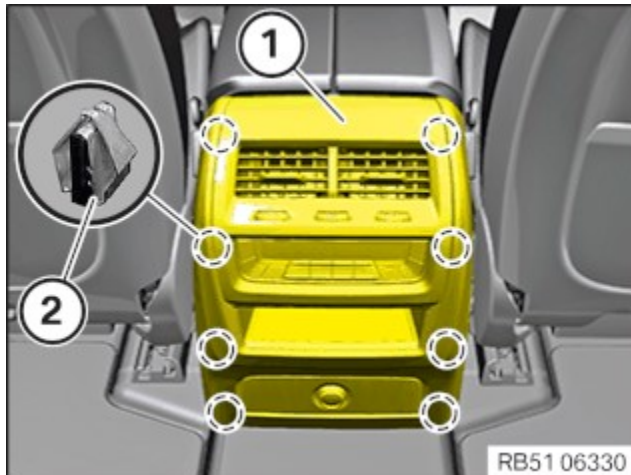
RISK OF DAMAGE

Careless handling of tools and sharp-edged components.

Scratch, surface damage.

Protect working area.

Handle tools and components carefully.



Unclip the rear centre console trim (1) from the clamps (2) and pull out a little.

Unlock associated plug connections and disconnect.

Remove the rear centre console trim (1).

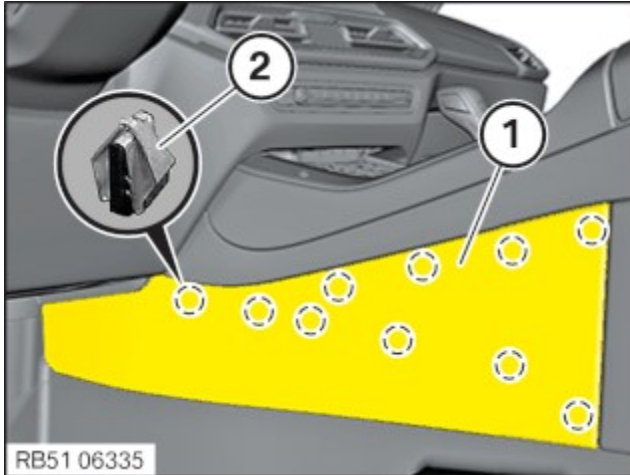
4 – Removing the carpet from the left and right sides of the centre console



NOTICE

Description is for left component only. Procedure on the right side is identical.

► **Removing the carpet from the centre console at the side**



Unclip the carpet (1) from the front side of the clamps (2) and remove it.

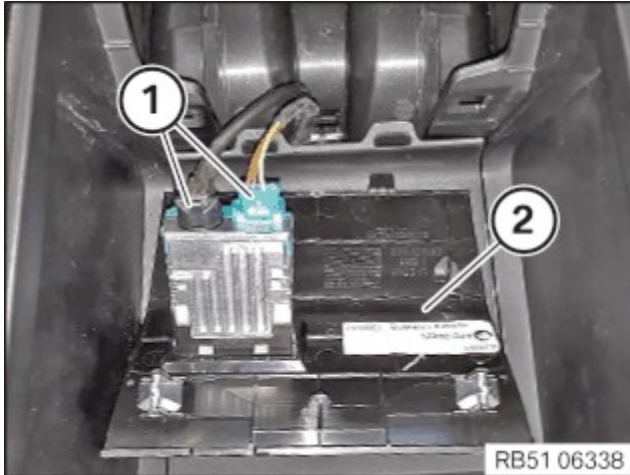
5 – Partially removing the storage compartment of the centre armrest

► Removing the trim in the storage compartment on the centre armrest



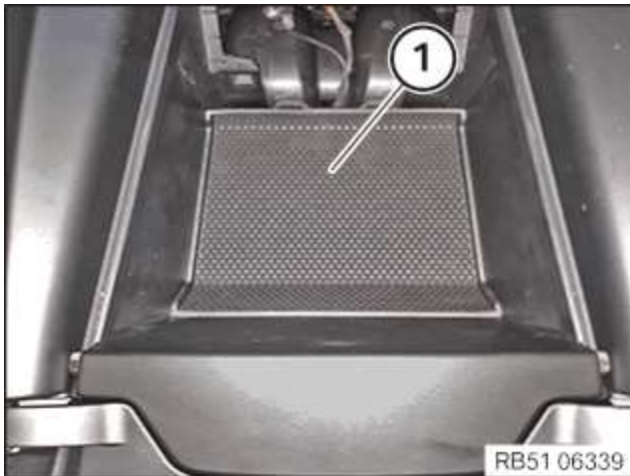
Lever trim (1) as pictured with special tool 2 298 505 towards the rear out of the clamps.

Feed trim (1) upwards out of the guides.

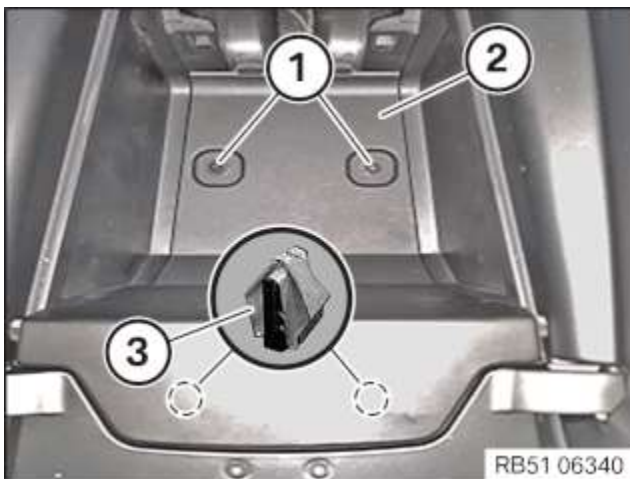


Unlock and disconnect plug connections (1).

Remove trim (2) to the top.

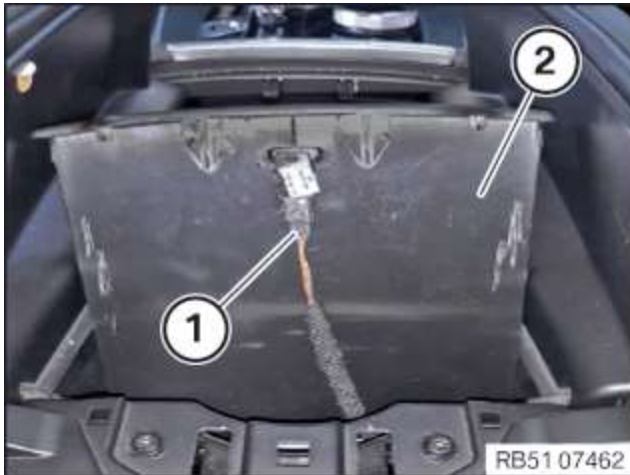


Remove the insert (1) in an upward direction.



Loosen screws (1).

Unclip the storage compartment floor (2) from the clamps (3) in an upward direction and raise it slightly at the rear.



Where applicable, disconnect the plug connection (1) and remove the storage compartment trim floor (2).

MAIN WORK

6 – Removing the centre console



RISK OF DAMAGE

Careless handling of tools and sharp-edged components.

Scratch, surface damage.

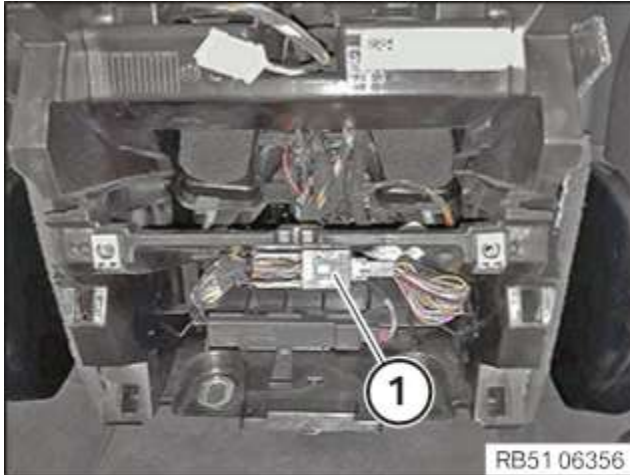
Protect working area.

Handle tools and components carefully.

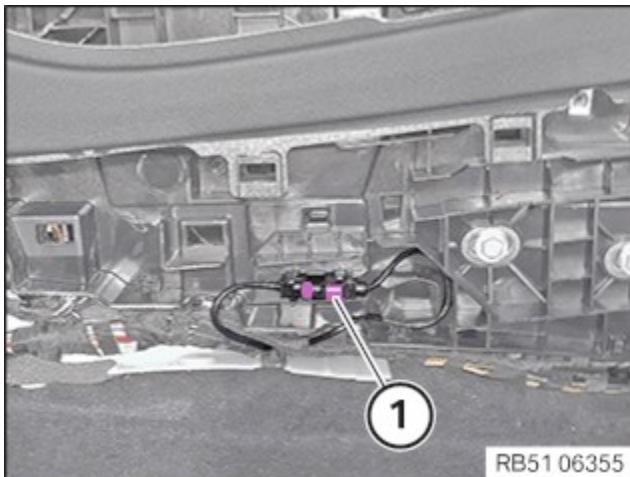


G05/G06:

Loosen screws (1).

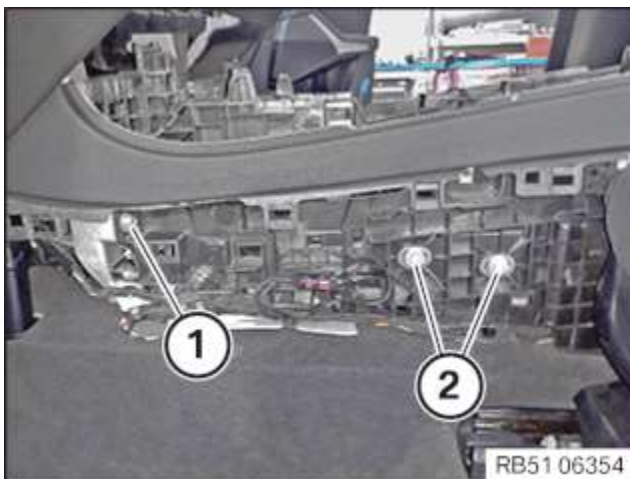


Unlock plug connection (1) and disconnect.



Remove plug connection (1) from the holder.

Unlock plug connection (1) and disconnect.

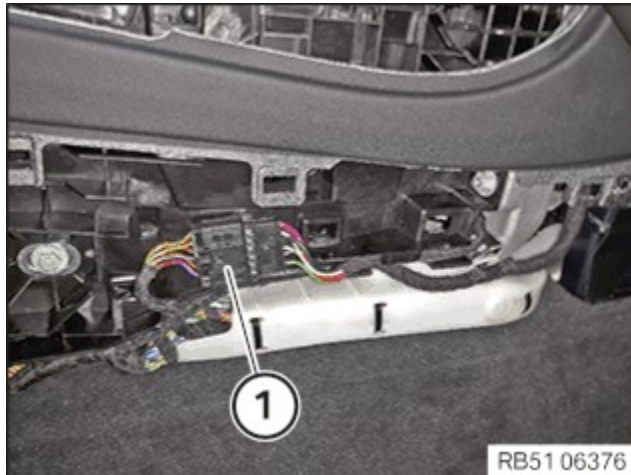


NOTICE

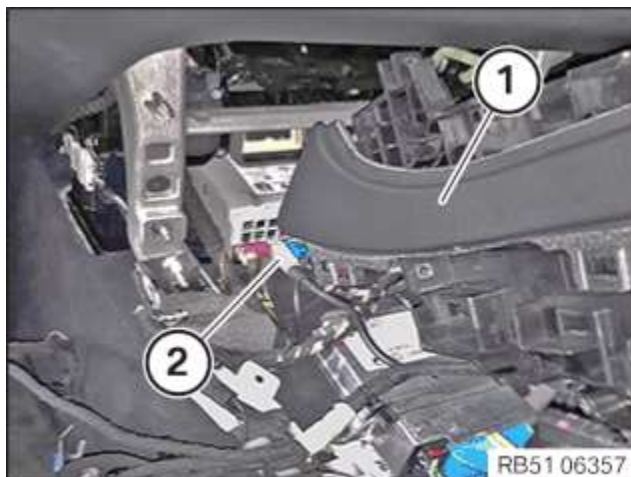
Perform the operations on the left and right side.

Loosen nut (1).

Loosen screws (2).



Unlock and disconnect right plug connection (1) on the centre console.



TECHNICAL INFORMATION

Conduct the following operation with the assistance of a second person.

Raise centre console (1) at the rear and carefully feed out slightly to the rear. While doing so, feed out the rest of the cable out of the centre console.

Unlock and disconnect plug connection (2) of the Head Unit High (HU-H).

Remove the centre console (1).

Remove the centre console trim



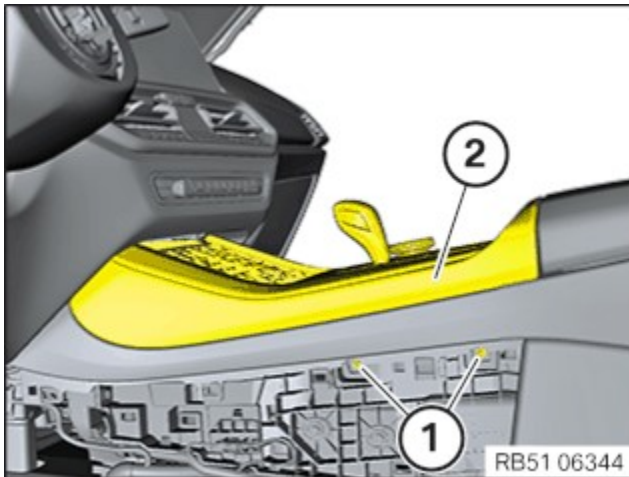
RISK OF DAMAGE

Careless handling of tools and sharp-edged components.

Scratch, surface damage.

Protect working area.

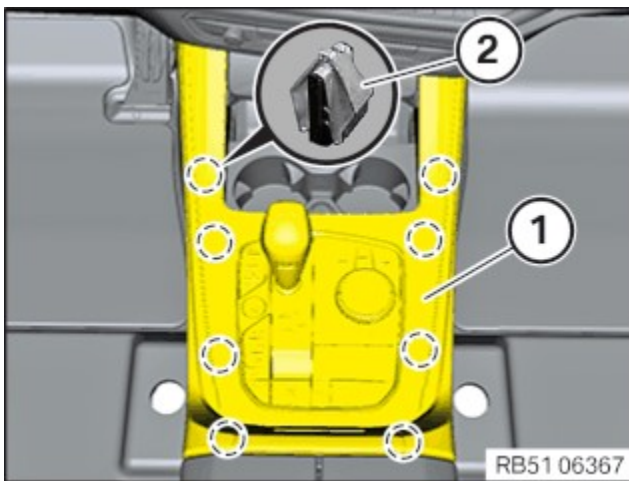
Handle tools and components carefully.



NOTICE

Perform the operations on the left and right side.

Release the screws (1) on centre console trim (2).



Lever out the centre console trim (1) **without** the tool set at the rear right and left from the clamps (2).