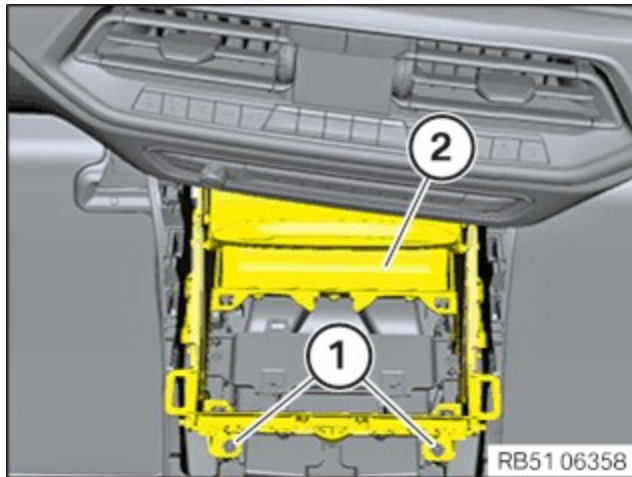


Installing the front storage compartment



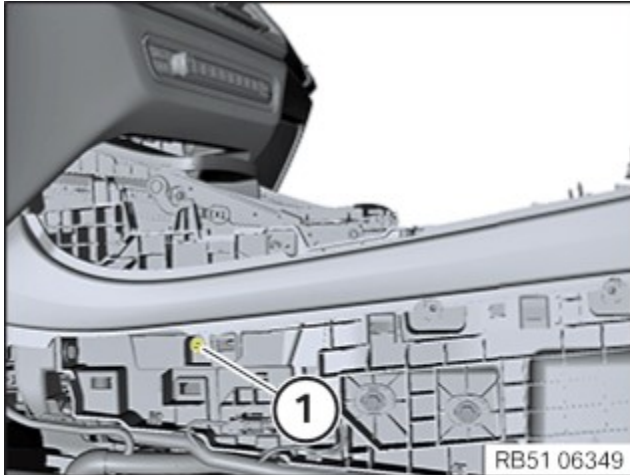
Install the storage compartment and connect the connector while doing so, if required.
Position storage compartment (2) correctly and engage at the clamps at the front.
Tighten the screws (1).

Installing the thermoelectric cup holder



Insert and install the thermoelectric cup holder in conjunction with the plug connector.

Tighten the screws (1).



NOTICE

Perform the operations on the left and right side.

Tighten down screw (1).

► Installing the trim on the thermoelectric cup holder



Correctly position the trim (1) and engage at the mounting clips.

Installing the centre console trim



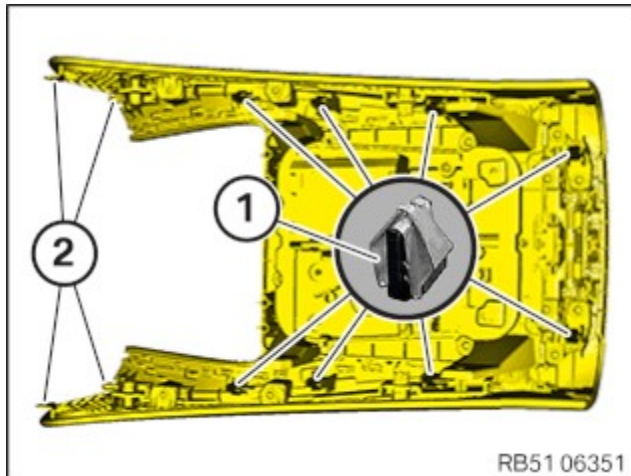
RISK OF DAMAGE

Careless handling of tools and sharp-edged components.

Scratch, surface damage.

Protect working area.

Handle tools and components carefully.



Check clamps (1) for damage.

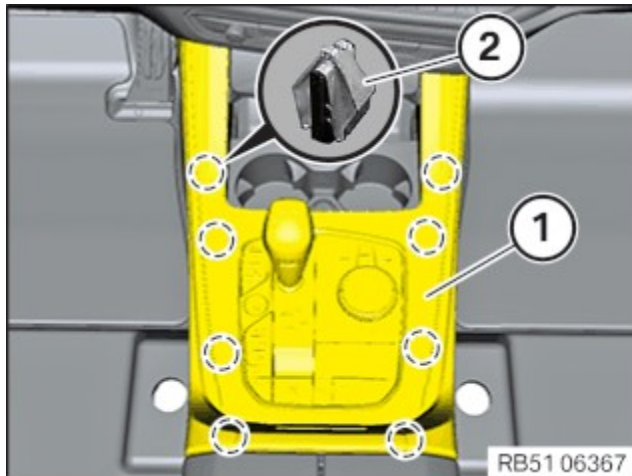
Renew faulty or missing clamps (1).

Check guides (2) for damage and, if necessary, renew the centre console trim.

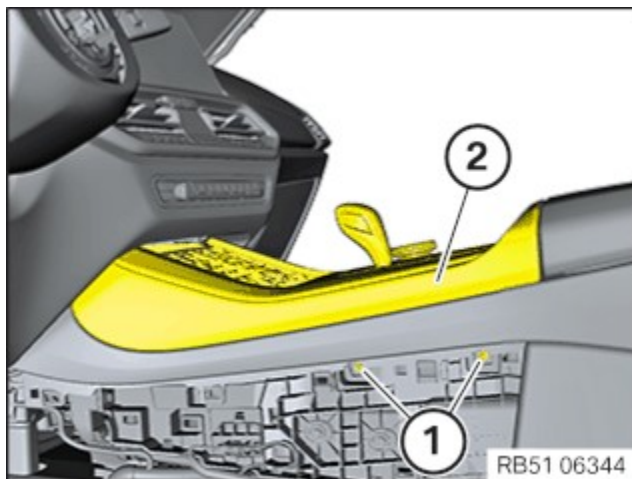


Insert the centre console trim (1).

Connect and lock the associated connectors.



Correctly position the centre console trim (1) and engage at the clamps (2).



NOTICE

Perform the operations on the left and right side.

Tighten the screws (1) at the centre console trim (2).