

# Original BMW Parts and Accessories.

## Installation Instructions.



### M Performance Side Skirt Foil Wrap Retrofit Kit.

**BMW 1 Series 5-door (F20)**  
**BMW 1 Series 3-door (F21)**  
**BMW 2 Series 3-door (F22, F23)**  
**BMW 2 Series Coupé (G42)**  
**BMW 3 Series Saloon (F30, F35, G20)**  
**BMW 3 Series Touring (F31)**  
**BMW 4 Series Coupé (F32, G22)**  
**BMW 4 Series Convertible (F33, G23)**  
**BMW 4 Series Grand Coupé (F36)**  
**BMW 5 Series Saloon (F10, G30, G30 LCI, G60)**  
**BMW 5 Series Touring (F11, G31, G31 LCI, G61)**  
**BMW 5 Series Saloon long version (G38)**  
**BMW 7 Series Saloon (G11)**  
**BMW 7 Series Saloon long version (G12)**  
**BMW X1 (F48)**  
**BMW X5 (F15, G05)**  
**BMW X5 long version (G18)**  
**BMW X6 (F16)**  
**BMW M2 Coupé (G87)**  
**BMW M3 Saloon (F80)**  
**BMW M4 Coupé (F82)**  
**BMW M4 Convertible (F83)**

### Retrofit kit number

51 14 2 240 803	Side skirt foil wrap F10, F11
51 19 2 220 967	Side skirt foil wrap F20
51 19 2 240 983	Side skirt foil wrap F30, F31
51 19 2 298 285	Side skirt foil wrap F21, F22, F23
51 19 2 349 308	Side skirt foil wrap F35
51 14 2 339 224	Side skirt foil wrap F15
51 14 2 348 319	Side skirt foil wrap F16
51 14 2 348 911	Side skirt foil wrap F32, F33, F36
51 14 2 350 706	Side skirt foil wrap F82, F83, narrow, with separate M Performance logo (2014 design)
51 14 2 410 443	Side skirt foil wrap F48
51 14 2 410 442	Side skirt foil wrap G11, G12
51 14 2 414 016	Side skirt foil wrap, F80, F82, F83, wide, with integral M Performance logo (design from 2016 onwards)
51 14 2 350 435	Side skirt foil wrap G30, G31
51 14 2 444 262	Side skirt foil wrap G38
51 14 2 456 384	Frozen Black side skirt foil wrap for G05 and G18
51 14 2 458 236	Frozen Black side skirt foil wrap for G20
51 14 5 A12 C04	Frozen Black side skirt foil wrap for G22 and G23
51 14 5 A1D 139	Side skirt foil wrap G30 LCI, G31 LCI
51 14 5 A30 FD6	Frozen Black side skirt foil wrap for G42
82 14 5 A65 B79	Side skirt foil wrap G87
82 14 5 A8E DC6	Grey side skirt foil wrap for G60 and G61

## Installation time

The installation time is **approx. 0.75 hours**. This may vary depending on the condition of the car and its equipment package.

The installation time shown does not include any time spent on programming/coding.

The calculation of the total costs for the programming time must be factored into the calculation of retrofitting costs (must not be invoiced under the warranty).

## Important information

These installation instructions are primarily designed for use within the BMW dealership organisation and by authorised BMW service companies.

These installation instructions are intended for use by qualified specialist staff trained on BMW cars with the relevant expert knowledge.

All work must be completed using the latest BMW repair manuals, wiring diagrams, servicing manuals and work instructions, in a logical order, using the prescribed tools (special tools), and observing current health and safety regulations.

## If you experience installation or function problems, restrict troubleshooting to approx. 0.5 hours for mechanical work and 1.0 hours for electrical work.

To avoid unnecessary extra work and/or costs, send an inquiry to the technical parts support team.

Quote the following information:

- VIN,
- retrofit kit part number,
- a detailed description of the problem,
- any work already carried out.

Do not archive the printout of these installation instructions. The current version can be found in the EPC (electronic parts catalogue).

## Pictograms



Denotes instructions that draw your attention to dangers.



Denotes instructions that draw your attention to special features.



Denotes the end of the instruction or other text.

## Installation information

All illustrations show LHD (left-hand drive) cars; proceed in the same way on RHD (right-hand drive) cars. Installation is shown on one side of the car only, proceed in the same way on the other side.

Bonding surfaces must be cleaned with a cleaner and must be clean and free from wax and grease. The ambient temperature for bonding and drying must not be below **15 °C** or exceed **35 °C**. The maximum surface temperature is 28 °C.

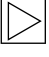


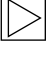
Wash the bonding area and clean all oil, grease or polish residues off it with isopropanol (99%) (do not use any greasing detergents or solvents. Do not use spirit). The bonding areas for the ends of the foil wrap which are bonded around the edges must be cleaned with particular care. It is essential that you apply the foil wrap with clean hands.

The car may be driven after **approx. 6 hours** and may be taken through a car wash after **approx. 48 hours**.

The foil wrap adjusts to the surface of the car under the influence of heat (direct sunlight, hair dryer); if required this can be used to get rid of air bubbles trapped underneath it. The scratch marks caused by the effects of heat will also disappear during the installation process.

The foil wraps should be heated after installation to a surface temperature of around 35 °C and pressed into position again. The ends of the foil wraps which are bonded around the edges must be pressed into position with particular care.

We recommend that you check the edges after 2 to 3 hours and run the blade over them again if necessary.

-  If the **M Performance motorsport strips** (part number: 51 14 2 351 090) are installed on the F82 together with the **M Performance motorsport stripe sticker**, M Performance logo **E** on **M Performance side skirt foil wrap** (part number: 51 14 2 350 706) must **not** be installed. ◀
-  If the **Frozen Black foil wrap** (part number: 51 14 2 456 383) is installed on the G05 or G18, the side skirt foil wrap (part number: 51 14 2 458 236) and the **M Performance logo** (part number: 51 14 2 461 811) must **not** be installed. ◀
-  If the **Frozen Black foil wrap** (part number: 51 14 2 458 194) is installed on the G20, the **M Performance logo sticker** (part number: 51 14 2 461 811) must **not** be installed. ◀
-  If the **Frozen Black accent strip foil wrap** (part number: 82 14 5 A8E DB7) is fitted on the G60 or G61, the **grey side skirt foil wrap** (part number: 82 14 5 A8E DC6) with the M Performance logo must **not** be fitted. The M Performance logo must be removed from the backing foil using suitable equipment. ◀

M Performance side skirt foil wraps **A** and **B** must be completely smoothed with the blade around the visible area at the bottom. We recommend using a lifting platform.

### Special tools required

Blade (Part No. 51 91 0 416 502)

**Advice to be given to the customer**

- The car may be driven after approx. 6.0 hours and may be taken through a car wash after approx. 48.0 hours.
- Please note the following restrictions for using a steam pressure washer:
  - Minimum distance between cleaning nozzle and surface: 1 m
  - Maximum temperature: 60 °C
  - The cleaning jet should not be angled at more than 30° from perpendicular to the bodywork
- The foil should be thoroughly cleaned on a regular basis (every 8–10 weeks).
- Particularly aggressive contaminants such as tree resin, dead insects or bird droppings, should be washed off as soon as possible with warm soapy water.
- Matt foils must not be polished to a shine. In addition, hot wax must not be used.

## Table of contents

Section	Page
1. Parts list for F10, F11 .....	6
2. Parts list for F15, F48 .....	7
3. Parts list for F16 .....	8
4. Parts list for F20, F21, F22, F23 .....	9
5. Parts list for F30, F31, F32, F33, F35, F36, G30, G30 LCI, G31, G31 LCI .....	10
6. Parts list for F82, F83, narrow, with separate M Performance logo (2014 design) .....	11
7. Parts list for F80, F82, F83, wide, with integral M Performance logo (2016 design) .....	12
8. Parts list for G05 and G18 .....	13
9. Parts list for G11, G12 .....	14
10. Parts list for G20 .....	15
11. Parts list for G22, G23 .....	16
12. Parts list for G38 .....	17
13. Parts list for G42 .....	18
14. Parts list G87 .....	19
15. Parts list for G60 and G61 .....	20
16. Preparatory work .....	21
17. Installing the M Performance side skirt foil wrap .....	22
18. Installing the M Performance side skirt foil wrap on the G05 and G18 .....	25
19. Installing the M Performance side skirt foil wrap on the G20 .....	26
20. Installing the M Performance side skirt foil wrap on the G22 and G23 .....	27
21. Installation of M Performance side skirt foil wrap G87 .....	28
22. Installation of M Performance grey side skirt foil wrap for G60 and G61 .....	29
23. Concluding work and coding .....	30

## 1. Parts list for F10, F11

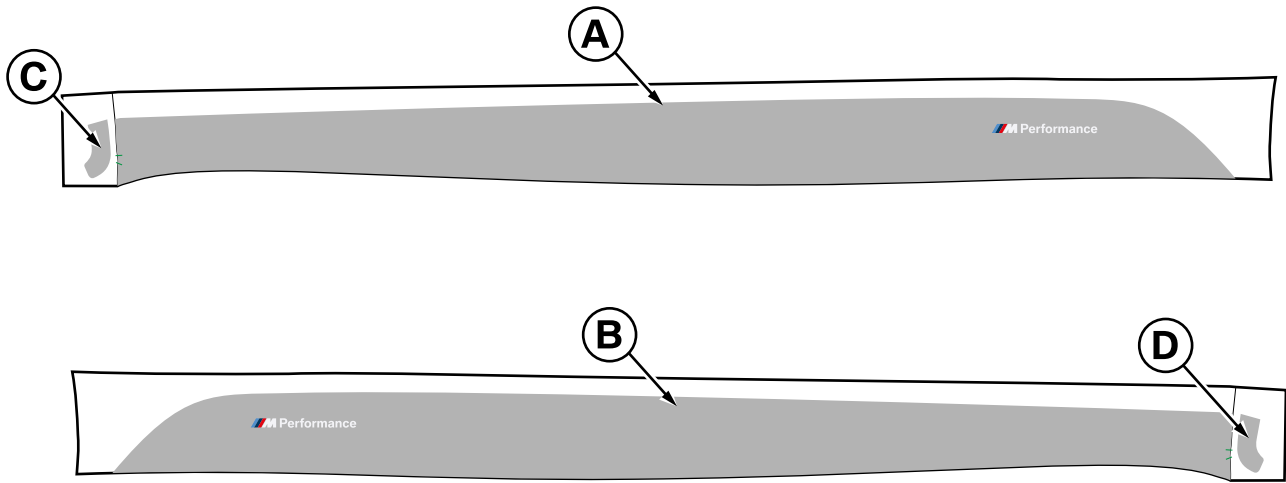


F10 0096 V

### Legend

- A** M Performance side skirt foil wrap left
- B** M Performance side skirt foil wrap right

## 2. Parts list for F15, F48

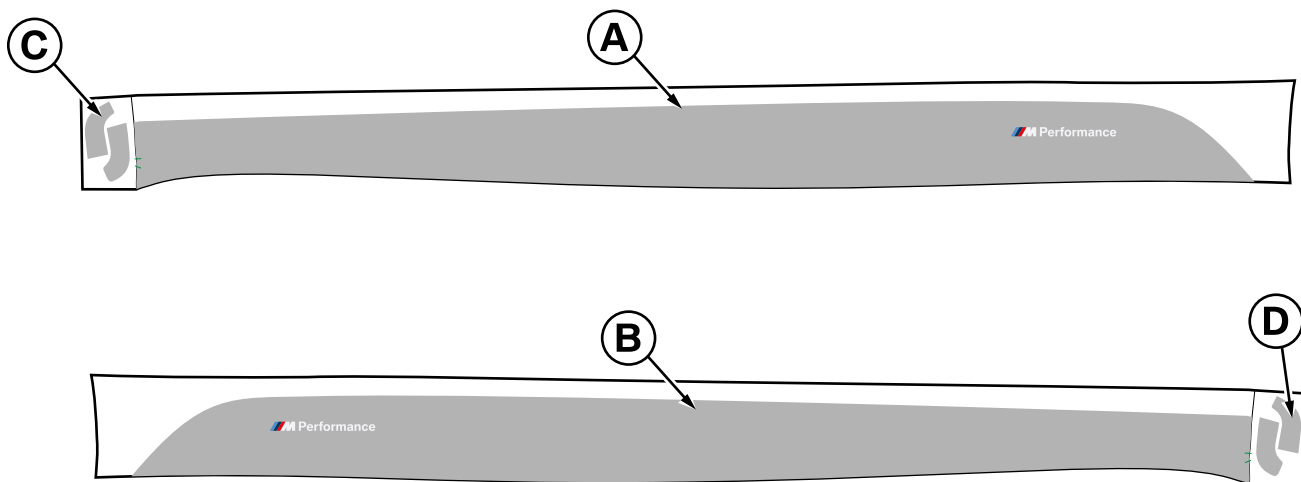


F15 0115 V

### Legend

- A** M Performance side skirt foil wrap left
- B** M Performance side skirt foil wrap right
- C** Side skirt foil wrap for front left wheel arch
- D** Side skirt foil wrap for front right wheel arch

### 3. Parts list for F16

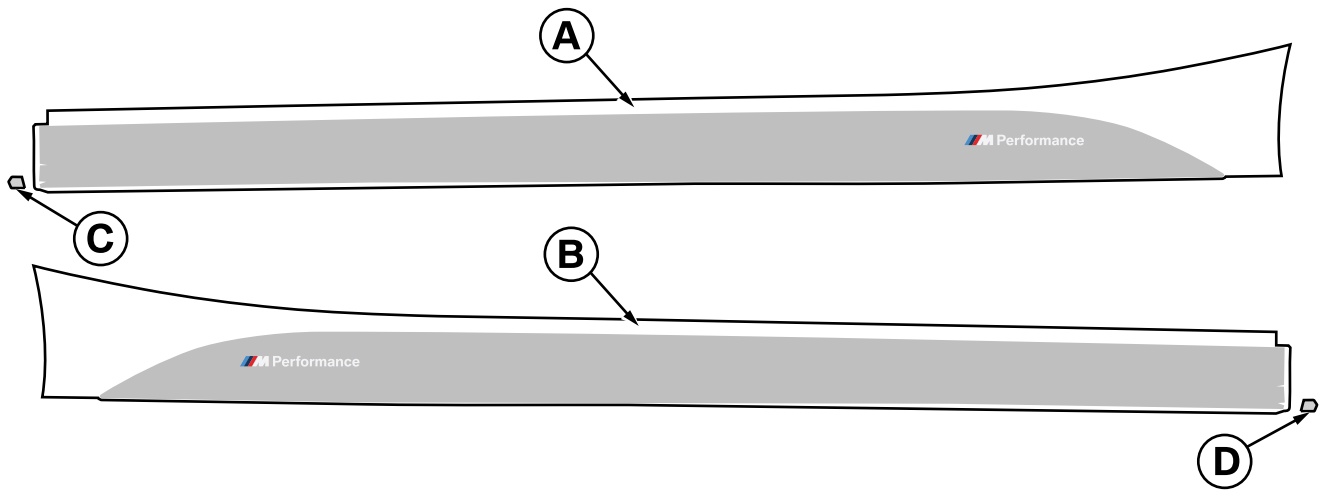


F16 0067 V

#### Legend

- A** M Performance side skirt foil wrap left
- B** M Performance side skirt foil wrap right
- C** Side skirt foil wrap for front left wheel arch
- D** Side skirt foil wrap for front right wheel arch

#### 4. Parts list for F20, F21, F22, F23

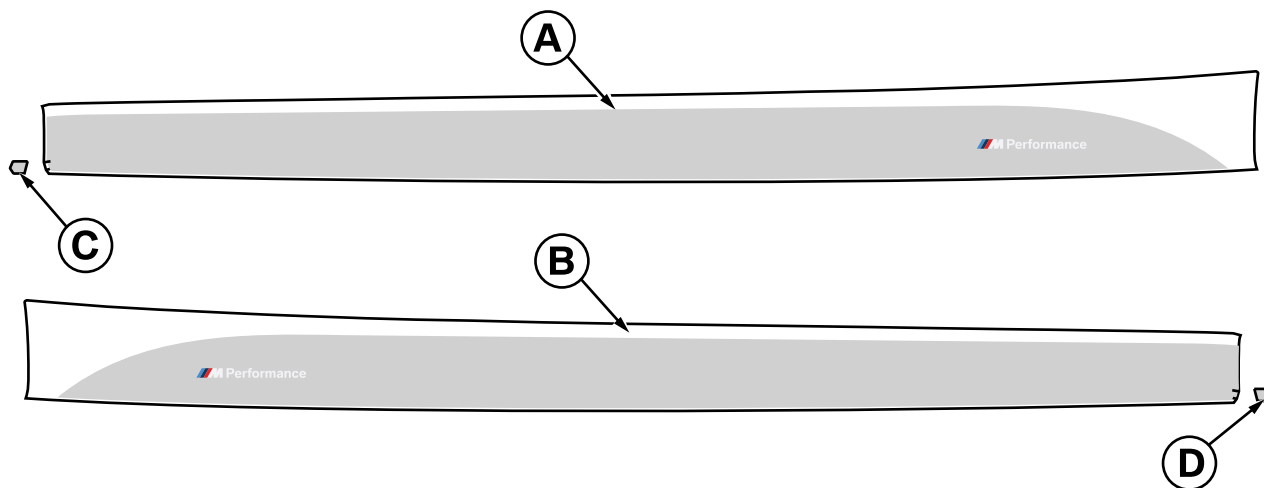


F20 0066 V

#### Legend

- A** M Performance side skirt foil wrap left
- B** M Performance side skirt foil wrap right
- C** Side skirt foil wrap for front left wheel arch **(for F21, F22, F23 only)**
- D** Side skirt foil wrap for front right wheel arch **(for F21, F22, F23 only)**

## 5. Parts list for F30, F31, F32, F33, F35, F36, G30, G30 LCI, G31, G31 LCI

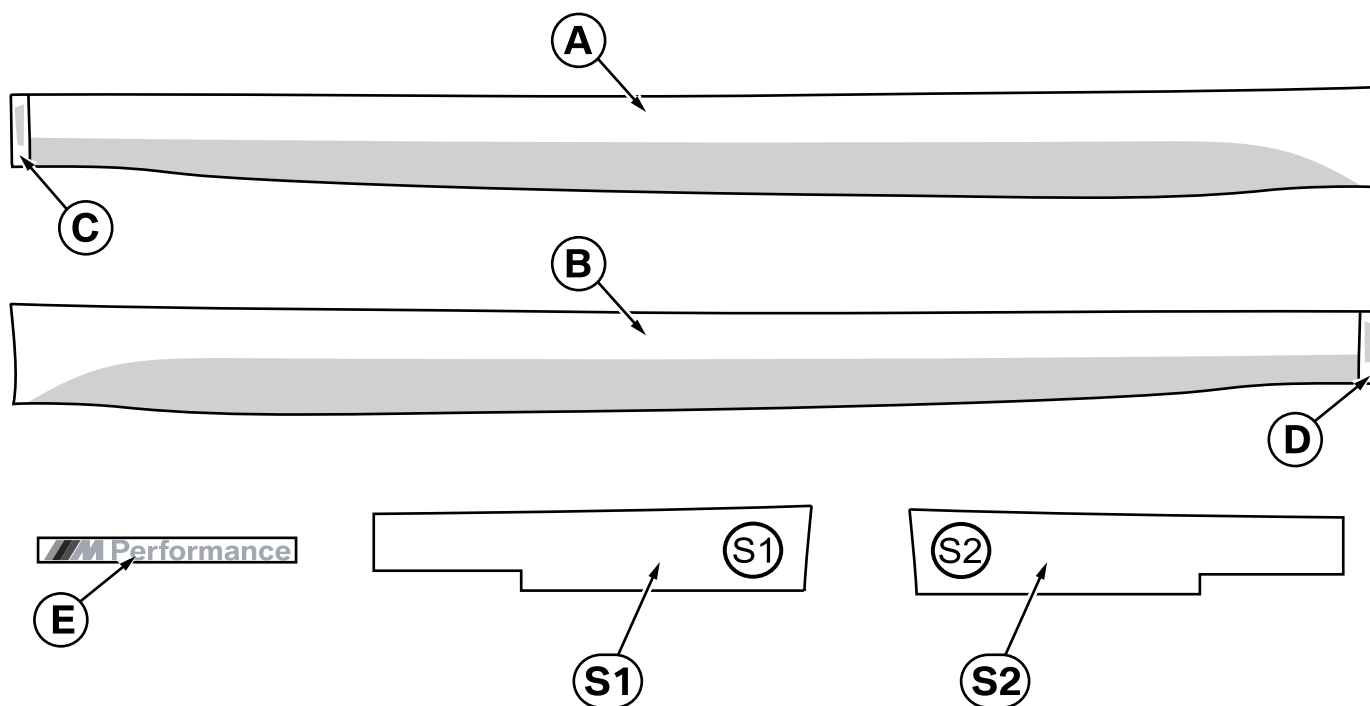


F30 0034 V

### Legend

- A** M Performance side skirt foil wrap left
- B** M Performance side skirt foil wrap right
- C** Side skirt foil wrap for front left wheel arch (**narrow geometry on the F32**)
- D** Side skirt foil wrap for front right wheel arch (**narrow geometry on the F32**)

## 6. Parts list for F82, F83, narrow, with separate M Performance logo (2014 design)

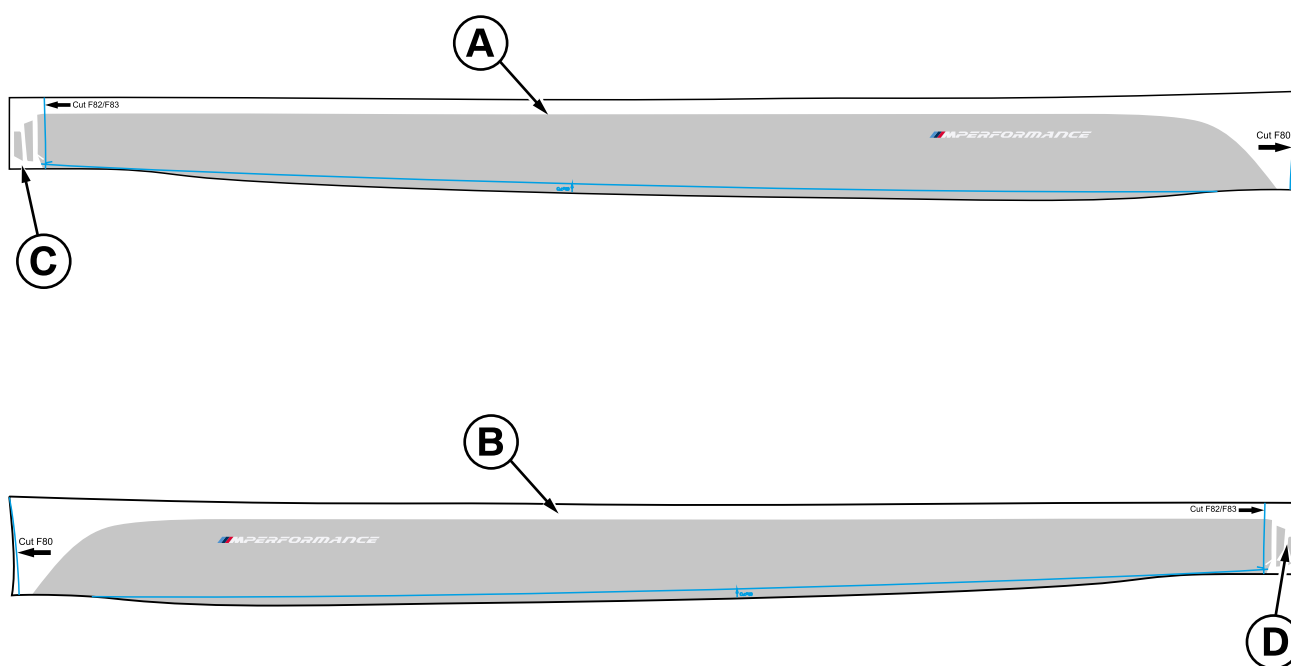


F82 0059 V

### Legend

- A** M Performance side skirt foil wrap left
- B** M Performance side skirt foil wrap right
- C** Side skirt foil wrap for front left wheel arch
- D** Side skirt foil wrap for front right wheel arch
- E** M Performance lettering (2 x)
- S1** Paper template left
- S2** Paper template right

## 7. Parts list for F80, F82, F83, wide, with integral M Performance logo (2016 design)

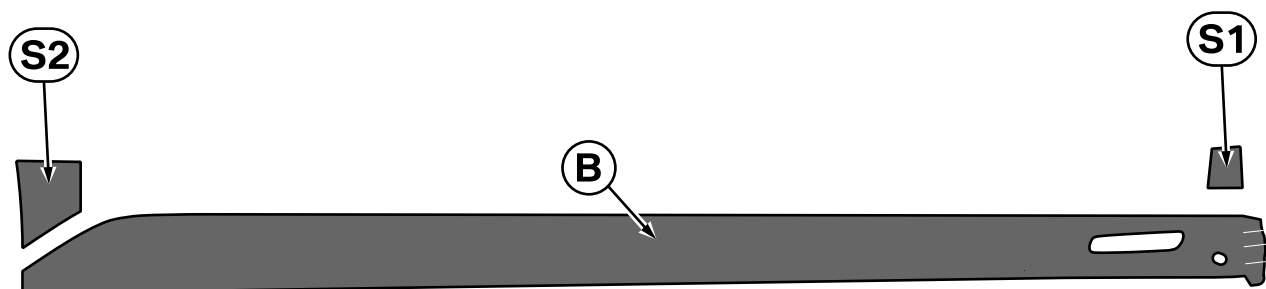
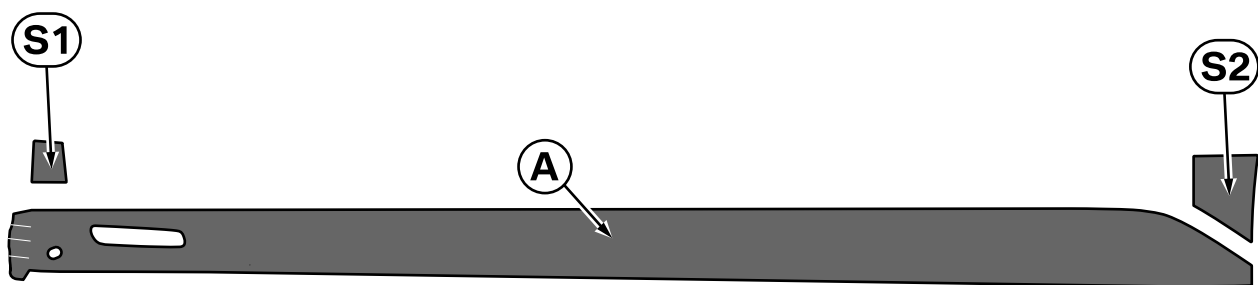


F80 0019 V

### Legend

- A** M Performance side skirt foil wrap left
- B** M Performance side skirt foil wrap right
- C** Side skirt foil wrap for front left wheel arch
- D** Side skirt foil wrap for front right wheel arch

## 8. Parts list for G05 and G18

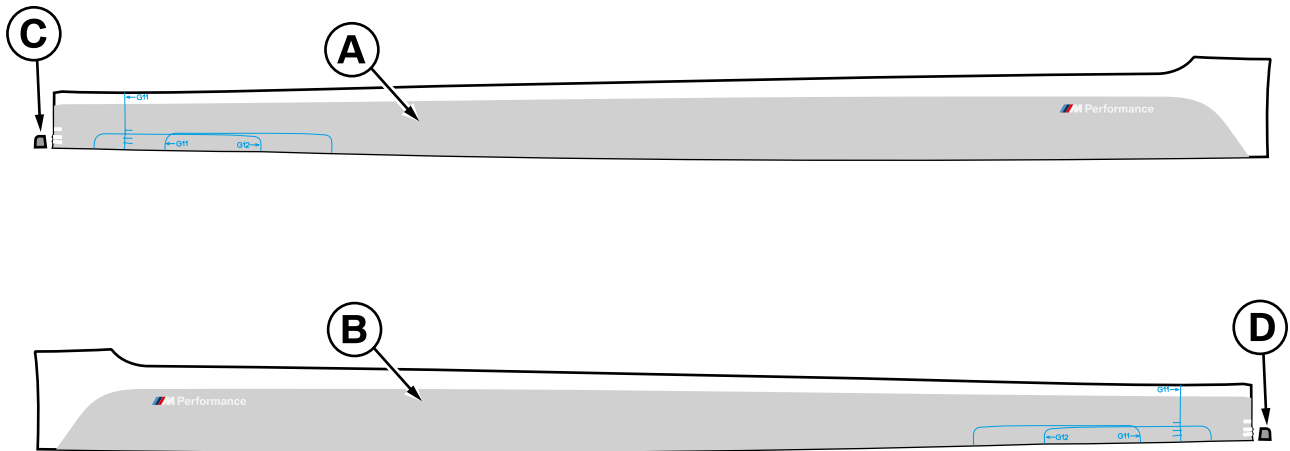


G05 0031 V

### Legend

- A** M Performance side skirt foil wrap left
- B** M Performance side skirt foil wrap right
- S1** Front template
- S2** Rear template (not used on G18 cars)

## 9. Parts list for G11, G12



G11 0011 V

### Legend

- A** M Performance side skirt foil wrap left
- B** M Performance side skirt foil wrap right
- C** Side skirt foil wrap for front left wheel arch
- D** Side skirt foil wrap for front right wheel arch

## 10. Parts list for G20

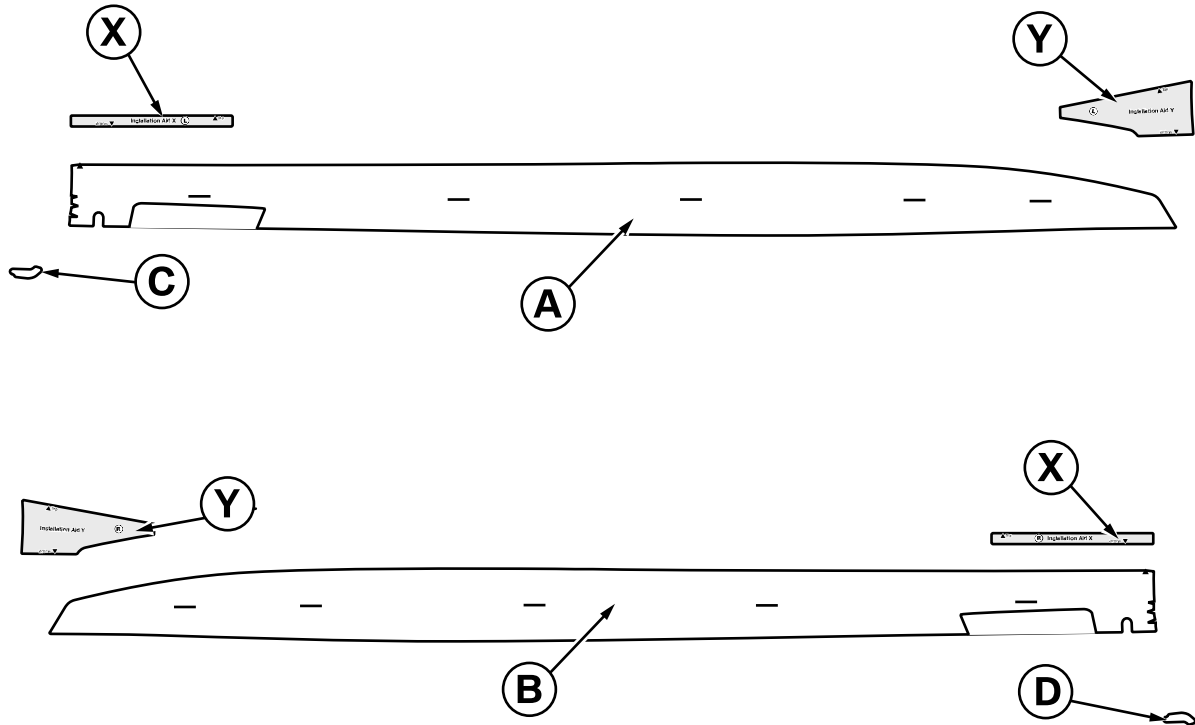


G20 0023 V

### Legend

- A** M Performance side skirt foil wrap left
- B** M Performance side skirt foil wrap right
- S1** Front template
- S2** Rear template

## 11. Parts list for G22, G23

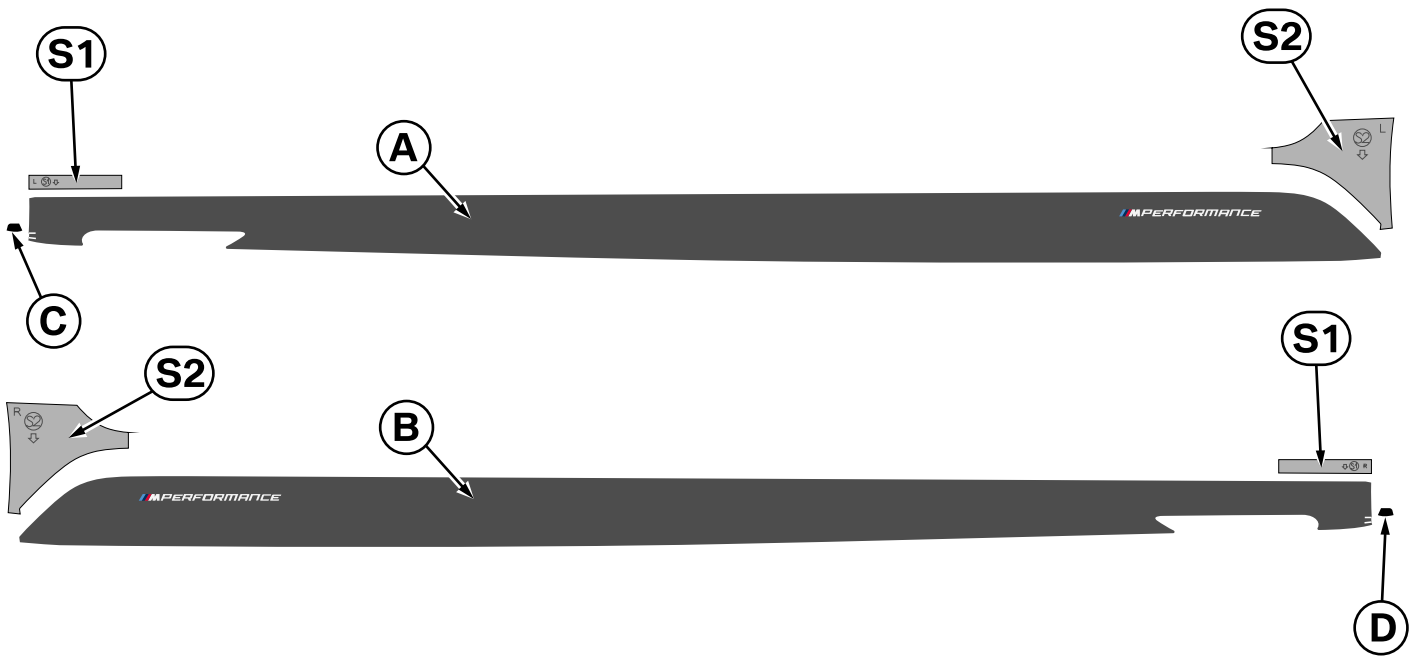


G22 0033 V

### Legend

- A** M Performance side skirt foil wrap left
- B** M Performance side skirt foil wrap right
- C** Side skirt foil wrap for front left wheel arch
- D** Side skirt foil wrap for front right wheel arch
- X** Front template left/right
- Y** Rear template left/right

## 12. Parts list for G38



G38 0001 V

### Legend

- A** M Performance side skirt foil wrap left
- B** M Performance side skirt foil wrap right
- C** Side skirt foil wrap for front left wheel arch
- D** Side skirt foil wrap for front right wheel arch
- S1** Front template left/right
- S2** Rear template left/right

## 13. Parts list for G42

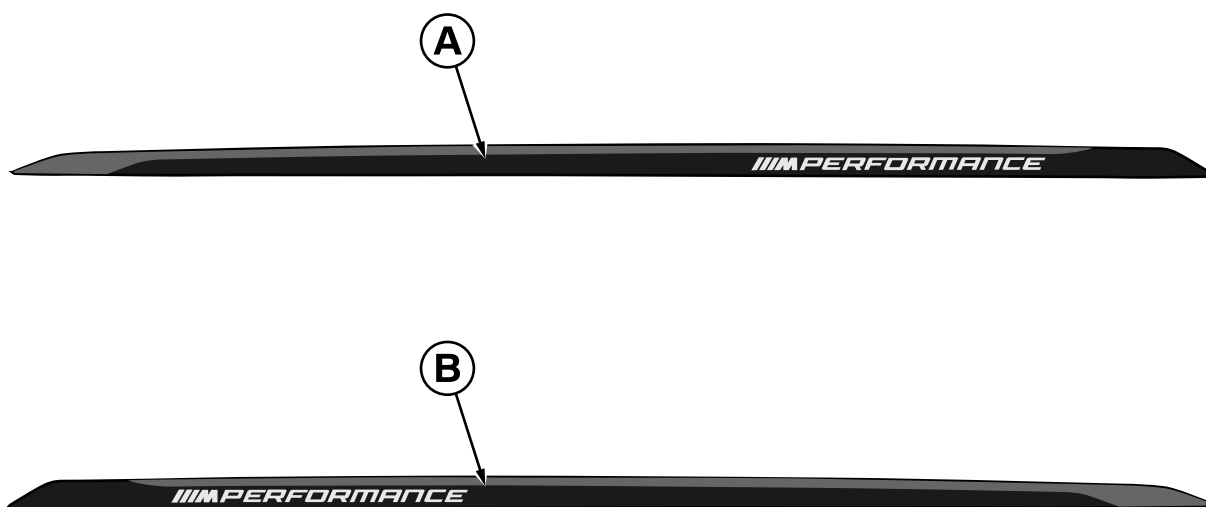


G42 0037 V

### Legend

- A** M Performance side skirt foil wrap, left
- B** M Performance side skirt foil wrap, right

## 14. Parts list G87

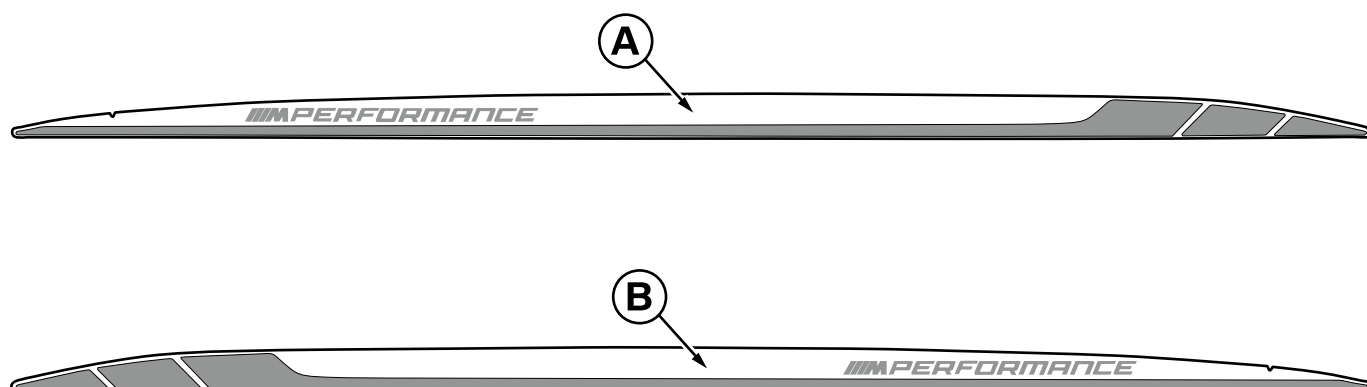


G87 0100 V

### Legend

- A** M Performance side skirt foil wrap, left
- B** M Performance side skirt foil wrap, right

## 15. Parts list for G60 and G61



G60 0090 V

### Legend

- A** M Performance grey skirt foil wrap, left
- B** M Performance grey skirt foil wrap, right

## 16. Preparatory work

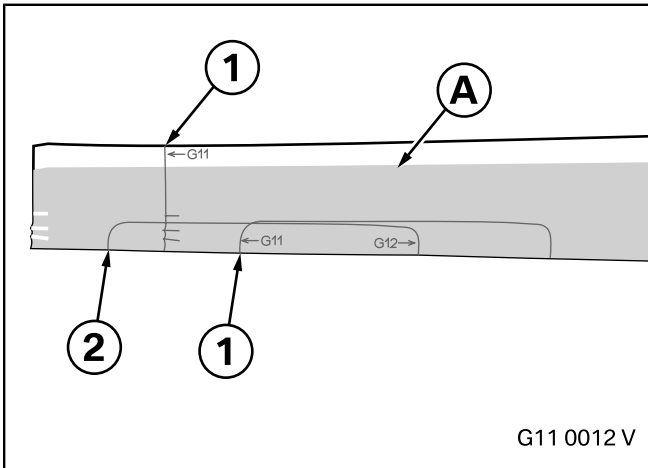
The following components must be removed first of all:

ISTA/AIR No.

None

---

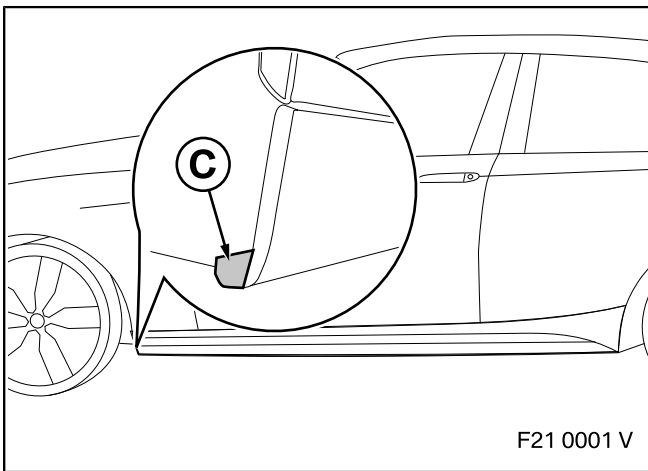
## 17. Installing the M Performance side skirt foil wrap



G11 0012 V

### For G11 and G12 cars

To ensure that the Welcome Light Carpet function is maintained, the M Performance side skirt foil wrap **A** for the **G11** must be cut along the **lines (1)** for the **G12** must be cut along the **line (2)**.



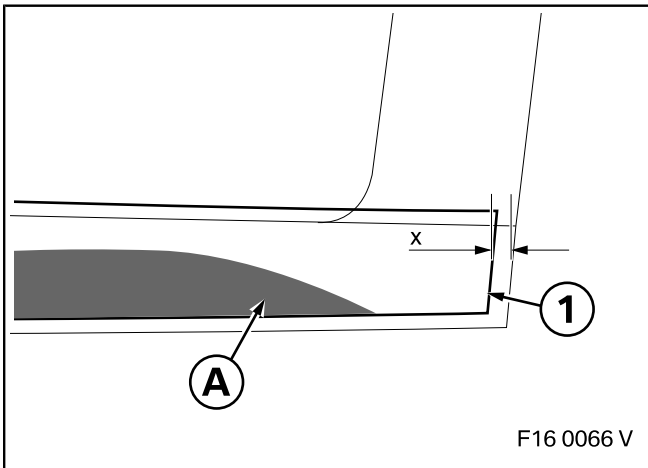
F21 0001 V

### For all cars (except the F20, F10, F11 and G42)

☐ The bonding surfaces must be completely dry, clean and free from dust or grease. ◀

Bond the side skirt foil wrap for the front left wheel arch **C** on the narrow edge of the side skirt and run the blade over it.

Then carefully remove the backing film from side skirt foil wrap for the front left wheel arch **C**.

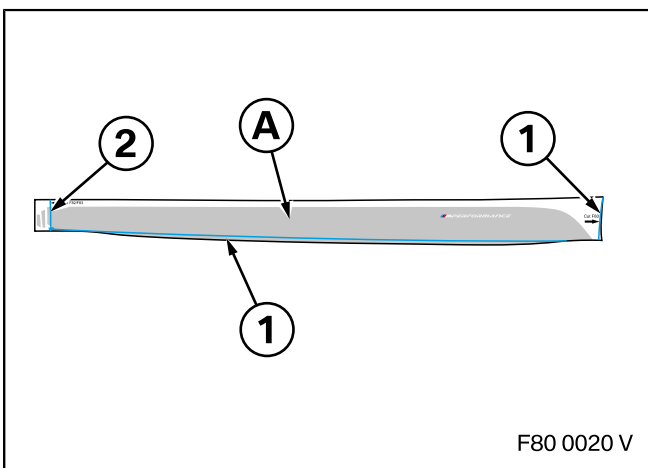


F16 0066 V

### For F16 cars only

☐ The bonding surfaces must be completely dry, clean and free from dust or grease. ◀

Position the M Performance side skirt foil wrap **A** with an offset of  $x = 10 \text{ mm}$  from the rear wheel arch to the edge (1) of the M side skirt and press it into place.



F80 0020 V

### For F80, F82, F83 cars and wide M Performance side skirt foil wrap with integral M Performance logo

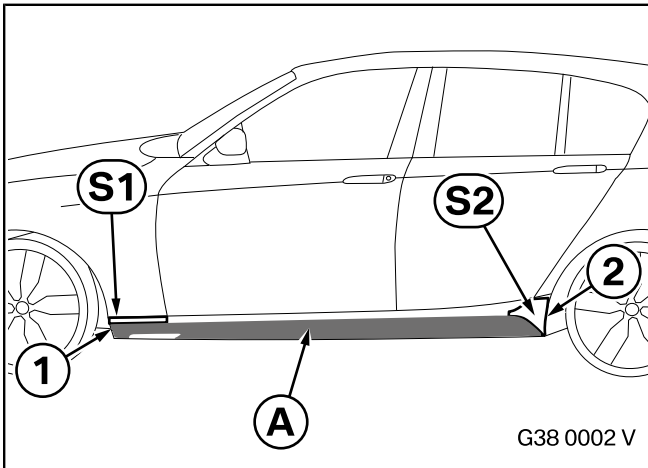
For F80 cars:

Cut the M Performance side skirt foil wrap along the two cutting lines (1) using a suitable tool.

For F82 and F83 cars:

Cut the M Performance side skirt foil wrap along the cutting line (2) using a suitable tool.

## 17. Installing the M Performance side skirt foil wrap



### For G38 cars only

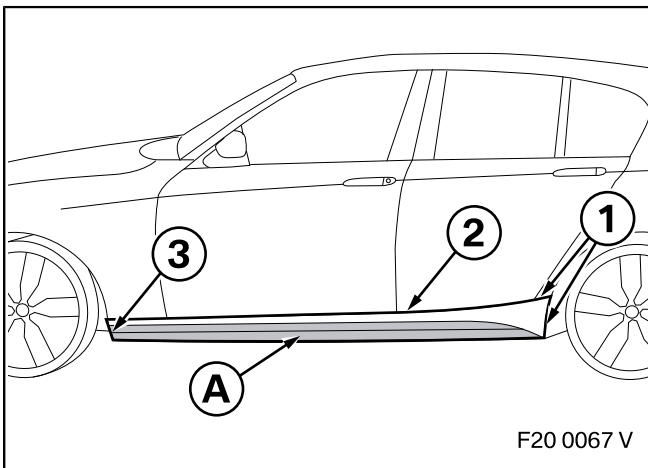
☒ The bonding surfaces must be completely dry, clean and free from dust or grease. ◀

Align template **S1** flush with the front wheel arch on the refractory edge (1) of the side skirt and press it into place.

Align template **S2** flush with the rear wheel arch on the refractory edge (2) of the side skirt and press it into place.

Align side skirt foil wrap **A** using the two templates **S1** and **S2** and press it into place.

☒ The front end of the M Performance side skirt foil application **A** must overhang the front refractory edge (1). ◀



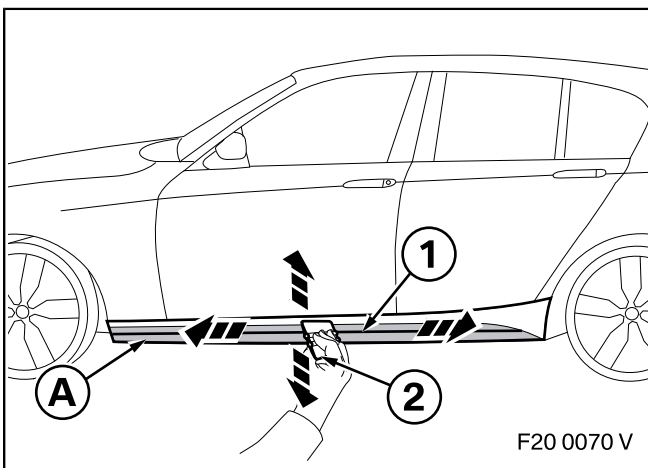
### For all cars except G38 and G42

☒ The bonding surfaces must be completely dry, clean and free from dust or grease. ◀

Align the M Performance side skirt foil application **A** flush (**on all cars except F16**) with an offset of **x = 10 mm** (see diagram above for **F16** cars) on the rear wheel arch to the refractory edges (1) of the M side skirt and press it into place.

Position the M Performance side skirt foil wrap **A** along the refractory edge (2) (**on all cars except F16**) of the door edge (2) (**for F16 cars**), align it up to the front edge (3) and press it into place.

☒ The front end of the M Performance side skirt foil wrap **A** must overhang the front edge (3). ◀



### For all cars except the F10, F11, F48 and G42

Press the M Performance side skirt foil application **A** along the centre of the bead (1) with your finger or the blade.

Starting from the middle, run the blade (2) **above** the bead (1) from **bottom to top**.

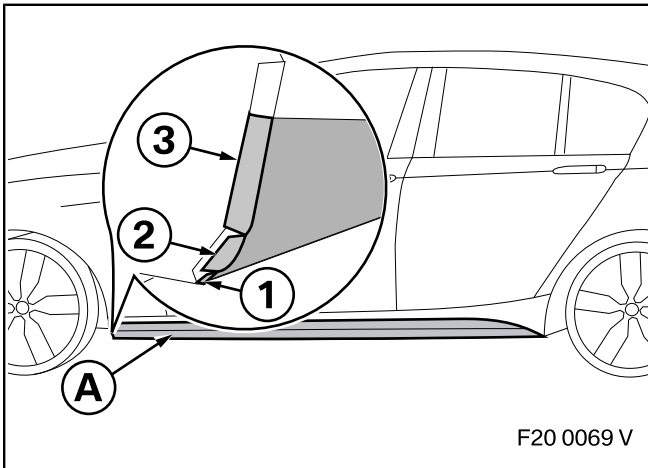
Starting from the middle, run the blade (2) **below** the crease (1) from **top to bottom**.

### For F10, F11 and F48 cars

Run the blade (2) over the M Performance side skirt foil wrap **A** starting from the centre from top to bottom.

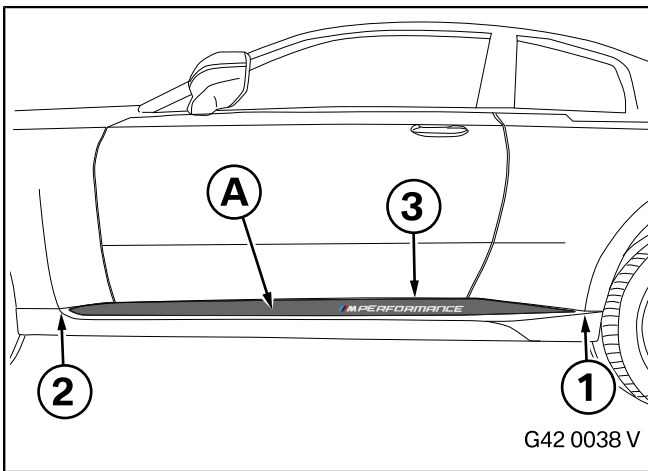
Then carefully remove the backing film from M Performance side skirt foil wrap **A**.

## 17. Installing the M Performance side skirt foil wrap



- ☒ The front end of the M Performance side skirt foil wrap **A** must be bonded around the edge of the side skirt, using the following sequence when bonding the adhesive surfaces. ◀

First bend the bonding surface (1), press it into place and run the blade over it. Then bend the bonding surface (2), press it into place and run the blade over it. Finally, bend the bonding surface (3), press it into place and run the blade over it.

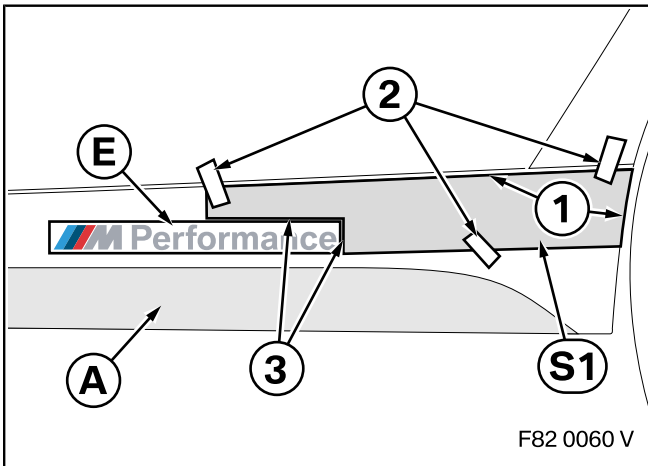


### For G42 cars only

- ☒ The bonding surfaces must be completely dry, clean and free from dust or grease. ◀

Align the M Performance side skirt foil application **A** in the centre between the contour (1) of the rear wheel arch and the side skirt contour (2).

Apply the M Performance side skirt foil application **A** along the top refractory edge (3) of the side skirt, press it into place gently and run the blade over it starting from the middle and working to the left and right to remove all bubbles and creases.



### For F82 and F83 M Performance narrow side skirt foil wrap only. The following applies if the M Performance motorsport stripes have been installed on the car and they do not include the M Performance logo:

- ☒ The bonding surfaces must be completely dry, clean and free from dust or grease. ◀

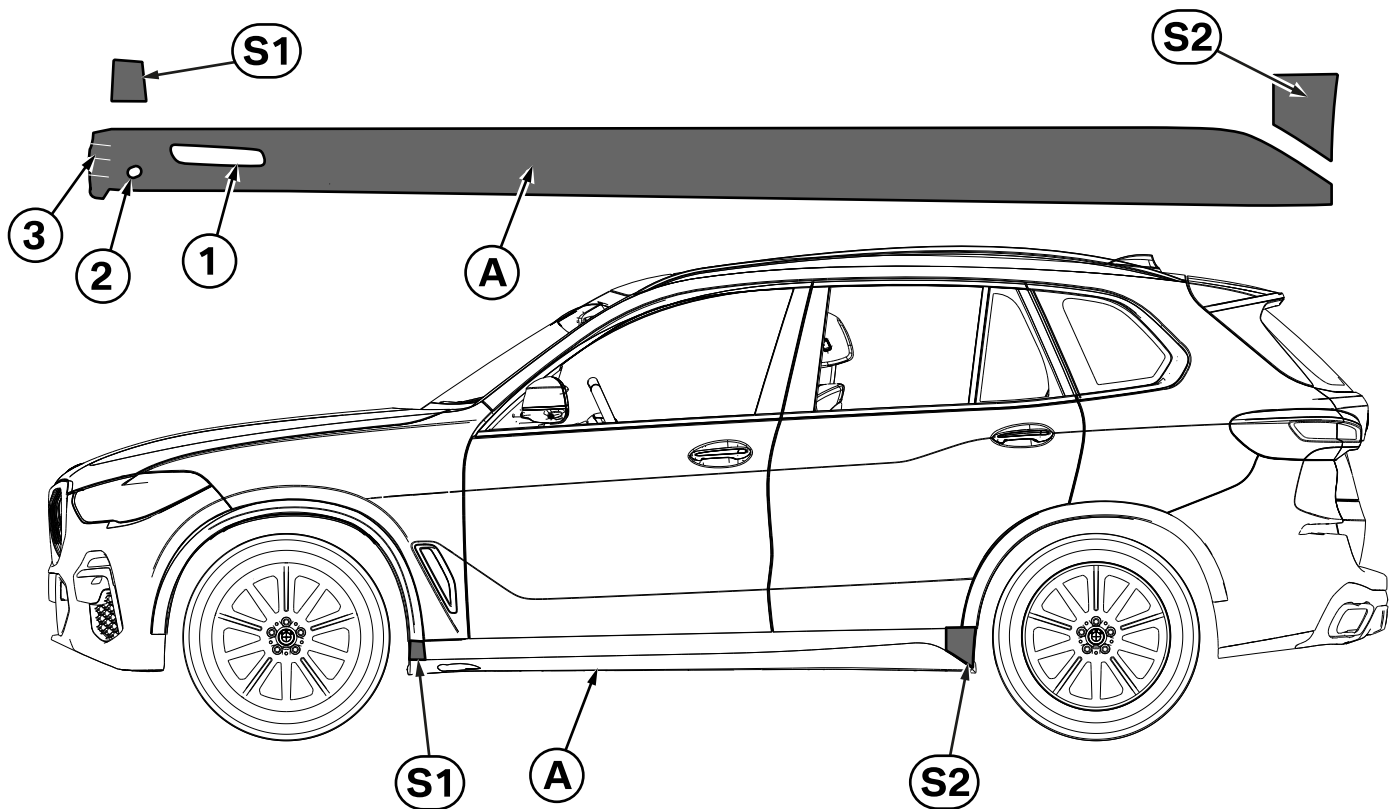
Cut out left-hand paper template **S1**.

Place left-hand paper template **S1** above the left M Performance side skirt foil wrap **A** on the edges (1) of the side skirt, align it and secure in place with adhesive strips (2).

Place the M Performance logo **E** on the edges (3), align it and bond it to the side skirt.

Carefully remove template **S1** and the backing film from the M Performance logo **E**.

## 18. Installing the M Performance side skirt foil wrap on the G05 and G18



G05 0032 V

☐ The installation work is shown on the G05. There is no need to bond the rear template **S2** on the G18, in other words the side skirt foil wrap **A** is not aligned to the contours of the rear template **S2** at the rear. ◀

Affix the templates **S1** and **S2** to the outside edges of the side skirt. Affix them so that the upper edge ends at the refractory edge.

Position the M Performance side skirt foil wrap **A** on the edge of the front template **S1**. Ensure that the recess (1) and recess (2) match the recess on the side skirt and that the ends of the incisions (3) are flush with the edge of the side skirt.

At the rear, the M Performance side skirt foil wrap **A** must be aligned with the contours of the rear template **S2**.

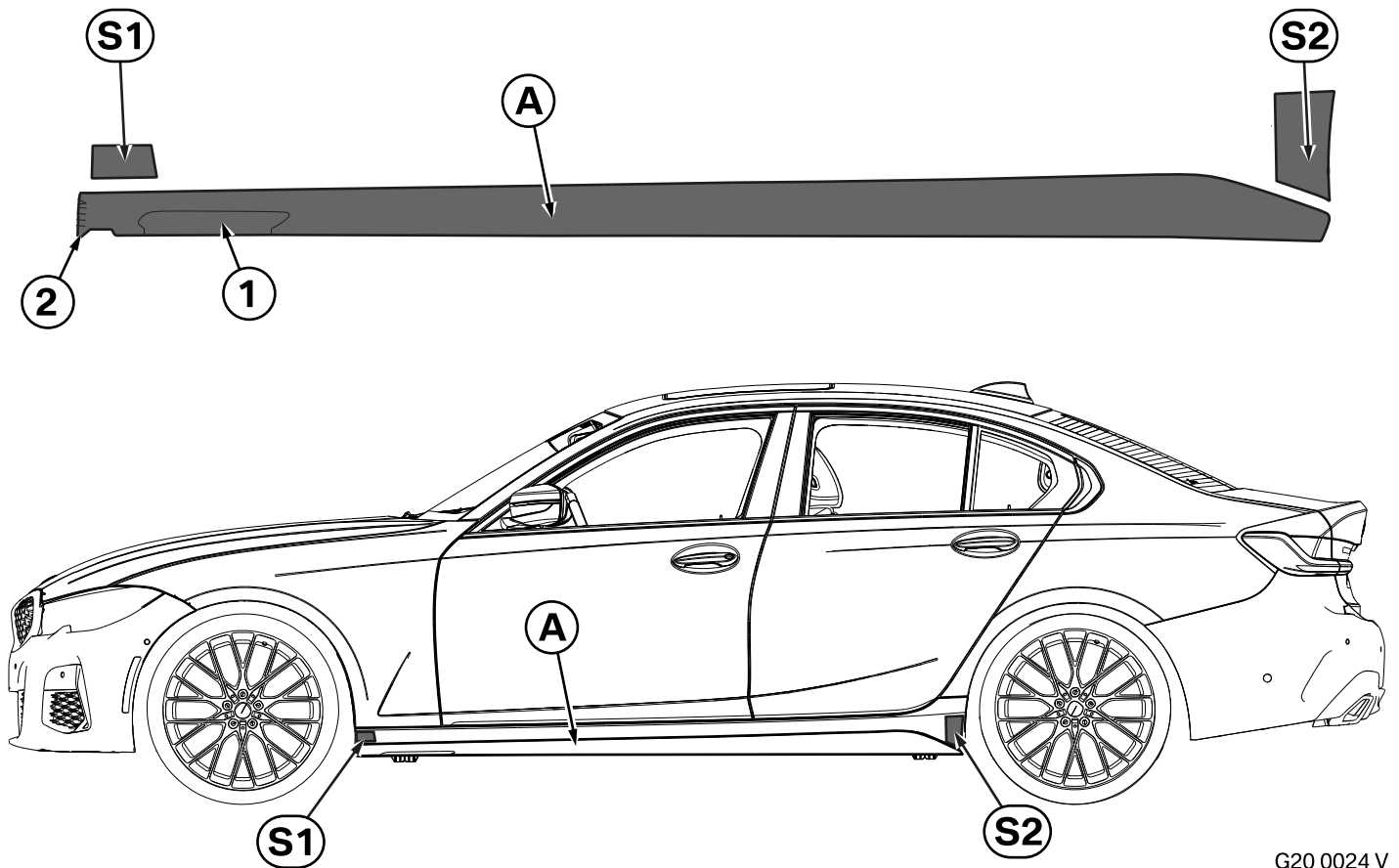
Align the side skirt foil wrap **A** towards the rear.

First run the blade over the M Performance side skirt foil wrap **A** along the refractory edge of the side skirt bead. Then press the M Performance side skirt foil wrap **A** downwards around the edges and run the blade over it.

Bond the front edge of the M Performance side skirt foil wrap **A** as described in section 13.

Then install the M Performance logo sticker (part number: **51 14 2 461 811**).

## 19. Installing the M Performance side skirt foil wrap on the G20



G20 0024 V

If the car has a Welcome Carpet Light, the recess (1) must be cut out using suitable tools.

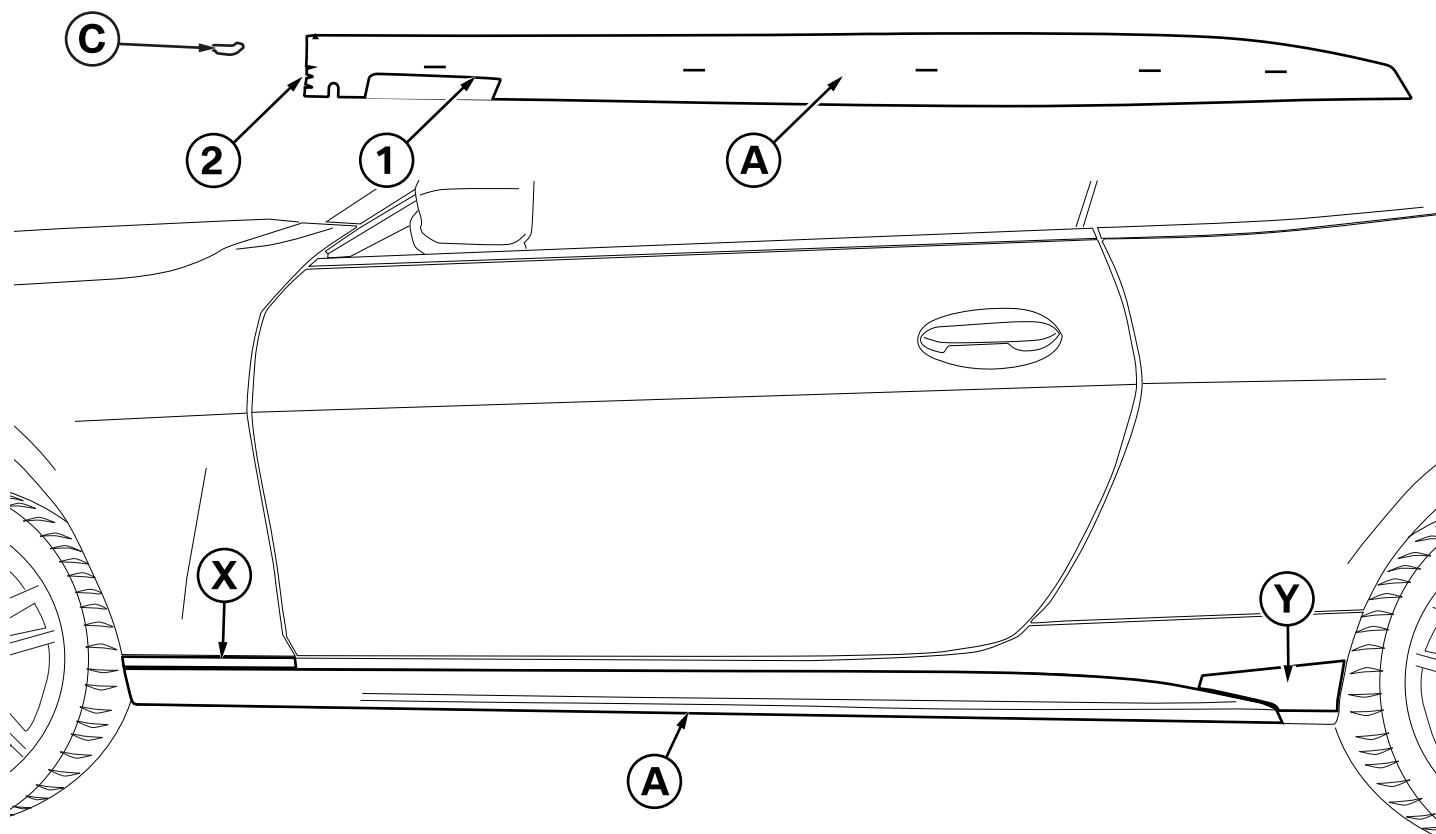
Affix templates **S1** and **S2** to the outside edges of the side skirt. Affix them so that the upper edge ends at the refractory edge.

Position the M Performance side skirt foil wrap **A** on the edge of the front template **S1**. Ensure that the recess (1) matches the recess on the side skirt and that the ends of the incisions (2) are flush with the edge of the side skirt. At the rear, the M Performance side skirt foil wrap **A** must be aligned with the contour of the rear template **S2**. First run the blade over the M Performance side skirt foil wrap **A** along the refractory edge of the side skirt bead. Then press the M Performance side skirt foil wrap **A** downwards around the edges and run the blade over it.

Bond the front edge of the M Performance side skirt foil wrap **A** as described in section 13.

If the Frozen Black foil wrap (part number: **51 14 2 458 194**) is not installed, the M Performance logo sticker (part number: **51 14 2 461 811**) must be installed.

## 20. Installing the M Performance side skirt foil wrap on the G22 and G23



G22 0034 V

If the car has a Welcome Carpet Light, the recess (1) must be cut out using suitable tools.

Align template **X** along the top left edge of the side skirt and affix it.

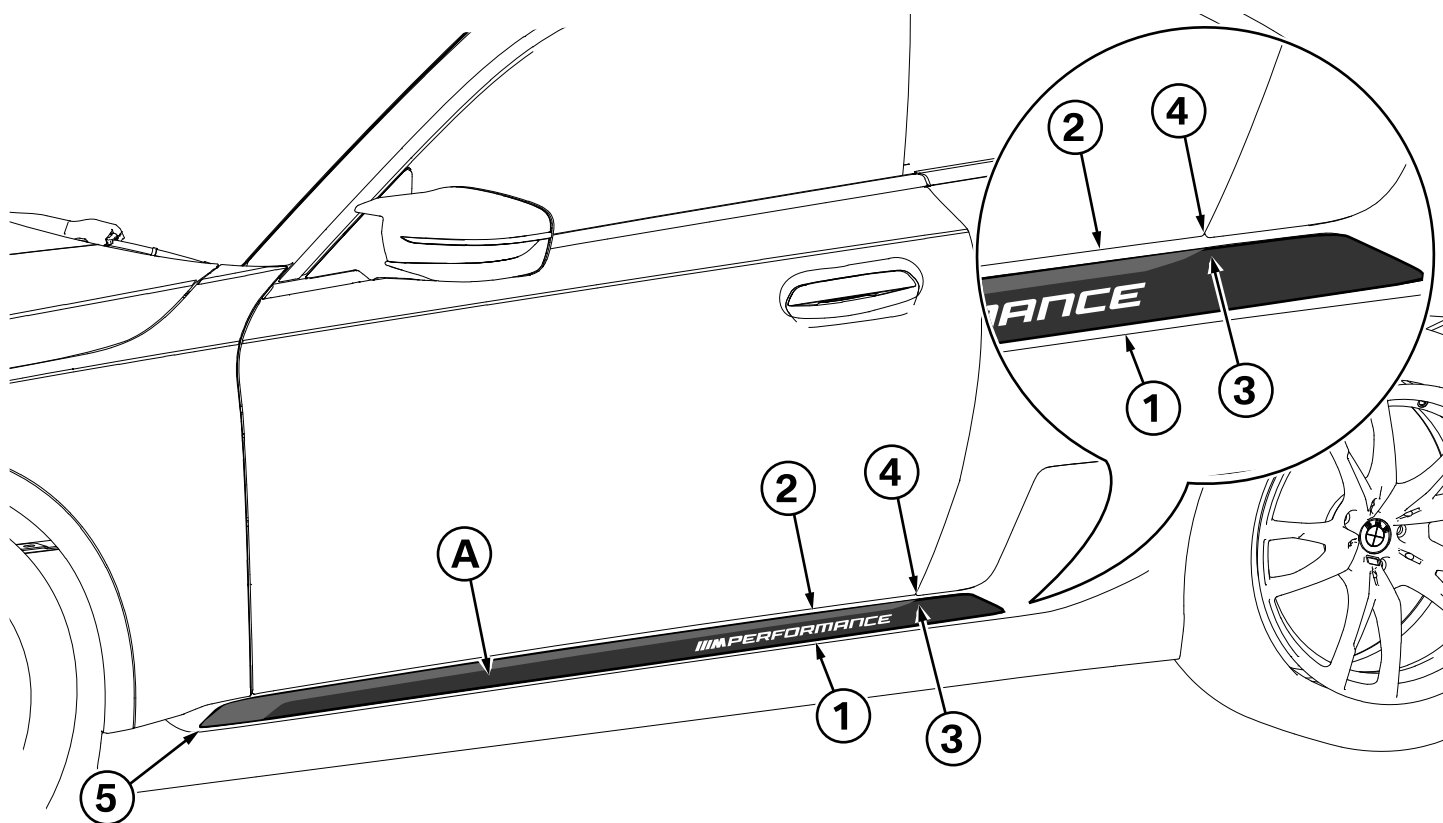
Align and affix template **Y** so that the bottom range and the edge on the wheel arch end at the refractory edges of the side skirt.

Position the M Performance side skirt foil wrap **A** on the edge of the front template **X**. Ensure that the recess (1) matches the recess on the side skirt and that the ends of the incisions (2) are flush with the edge of the side skirt. At the rear, the M Performance side skirt foil wrap **A** must be aligned with the contour of the rear template **Y**. Press the M Performance side skirt foil wrap **A** into position using a finger or the blade along the refractory edge in the centre below the side skirt bead. Then run the blade over the M Performance side skirt foil wrap **A**, starting from the centre above the edge from bottom to top. Starting from the centre, run the blade below the edge from top to bottom.

Bond the front edge of the M Performance side skirt foil wrap **A** and the side skirt for front left wheel arch foil wrap **C** as described in section 13.

▶ If the Frozen Black foil wrap (**Part No. 51 14 5 A11 FA3**) is not installed, the M Performance logo sticker (**Part No. 51 14 2 461 811**, to be ordered separately) must be installed as described in **installation instructions 01 29 2 297 912**. ◀

## 21. Installation of M Performance side skirt foil wrap G87



G87 0101 V

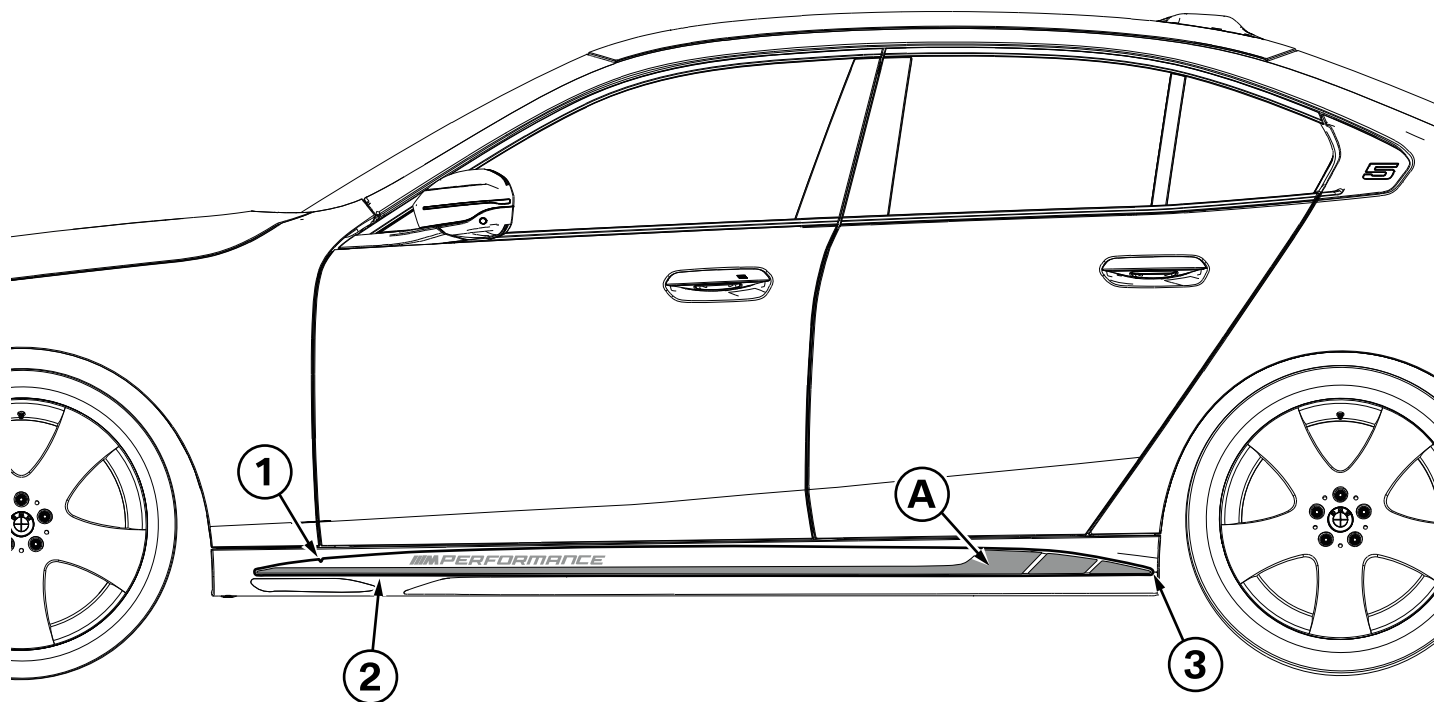
▣ The M Performance side skirt foil wrap **A** must be installed centrally between the refractory edge (1) and the rear edge of the side skirt (2). ◀

Align the end of the edge (3) on the M Performance side skirt foil wrap **A** flush with the edge of the door (4) and at the same time ensure that its is the same distance between the refractory edge (1) and the rear edge of the side skirt (2).

Press the M Performance side skirt foil wrap **A** into position and align further towards the front edge (5), pressing it into position and checking the distance to the rear edge of the side skirt (2).

Then run the blade over the M Performance side skirt foil wrap **A** from its centre to the rear edge of the side skirt (2) and then towards the front refractory edge (1), aligning, pressing and running the blade over the M Performance side skirt foil wrap **A** piece by piece to the front edge (5). Repeatedly check the distance to the rear edge of the side skirt (2) and correct it if necessary.

## 22. Installation of M Performance grey side skirt foil wrap for G60 and G61



G60 0091 V

☐ The notch (1) on the backing foil is for positioning the M Performance grey side skirt foil wrap **A** on the side skirt. It shows the gap between the front wing and the front door. ◀

Position the notch (1) at the gap between the front wing and the front door. Align the M Performance grey side skirt foil wrap **A** on the bottom refractory edge (2) and press it into place.

Continue to align, press and run the blade over the M Performance grey side skirt foil wrap **A** towards the rear end (3). As you do so, monitor its distance from the refractory edge (2).

## 23. Concluding work and coding

- The foil wraps should be heated after installation to a surface temperature of around 35 °C and pressed into position again. The ends of the foil wraps which are bonded around edges must be pressed into position with particular care.
- We recommend that you check the edges after 2 to 3 hours and run the blade over them again if necessary.
- The information on **page 4** must be given to the customer.